

SIEMENS

Installation Instructions

Model S3AP

Adapter Kit for use with EN-PAD(R) or EN-RSE Enclosure or System 3 Rails

(For indoor use only in dry environments)

INTRODUCTION

The S3AP Adapter Kit from Siemens Industry, Inc., is installed in an EN-PAD(R) or EN-RSE enclosure or on System 3 rails for use with a PAD-4 and FP2011-U1 Power Supply.

INSTALLATION

In EN-PAD/EN-RSE Enclosure

1. **Remove all system power before installation, first battery (by removing the quick disconnects) and then AC.**
2. Remove field wiring from terminal blocks of the existing PAD-3 or RSE-300.
3. Remove the PAD-3 or RSE-300 by removing the 6 mounting screws. Place the screws to one side.
4. Place the S3AP adapter plate over the studs in the enclosure. Using 4 of the 6 screws that were removed, tighten the screws to the upper and lower left and right studs in the EN-PAD(R) or EN-RSE enclosure as shown in Figure 1.
5. Mount the FP2011-U1 Power Supply on the four studs at the top of the S3AP using the hardware supplied with the FP2011-U1 as shown in Figure 2. Refer to the FP2011-U1 installation instructions, P/N 315-050222, for further information.
6. Using the hardware from the PAD-4, place 4 screws in the bottom 4 studs of the S3AP. Place the PAD-4 over the screws and tighten them. Place the remaining 2 screws in the upper right and left corners of the PAD-4 as shown in Figure 2. Refer to the PAD-4 Manual, P/N 315-050217, for further information.
7. Refer to the EN-PAD(R) Installation Instructions, P/N 315-099156 or the EN-RSE Installation Instructions, P/N 315-099156FA for information on mounting the door and the ground strap.

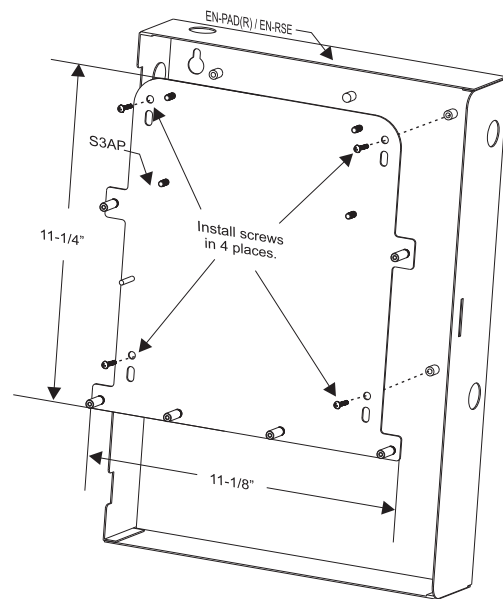


Figure 1
**Mounting the S3AP in an EN-PAD(R)
or EN-RSE Enclosure**

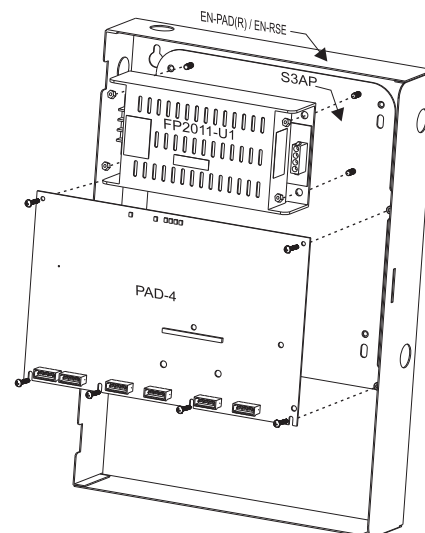


Figure 2
Mounting FP2011-U1 and PAD-4 on the S3AP

On System 3 Rails

1. Remove all system power before installation, first battery and then AC.

When converting from a PAD-3 to PAD-4, the module next to the PAD-3 will have to be relocated to a different space. Due to the size of the S3AP plate, the space adjacent to the plate on the System 3 rail will need to be left empty.



2. Place the S3AP adapter plate over the mounting holes in the desired location in the System 3 rails. Using four 8/32 x 1/2" screws (user supplied), mount the S3AP to the System 3 rails on the upper and lower left and right slots of the adapter plate as shown in Figure 3. Note that the height of the adapter plate can be adjusted to fit between the rails.
3. Mount the FP2011-U1 Power Supply on the four studs at the top of the S3AP using the hardware supplied with the FP2011-U1 as shown in Figure 2. Refer to the FP2011-U1 installation instructions, P/N 315-050222, for further information.
4. Using the hardware from the PAD-4, place 4 screws in the bottom 4 studs of the S3AP. Place the PAD-4 over the screws and tighten them. Place the remaining 2 screws in the upper right and left corners of the PAD-4 as shown in Figure 2. Refer to the PAD-4 Manual, P/N 315-050217, for further information.

SPECIFICATIONS

The overall dimensions of the S3AP adapter plate are: 11-1/4" H x 1/16" D x 11-1/8" W.

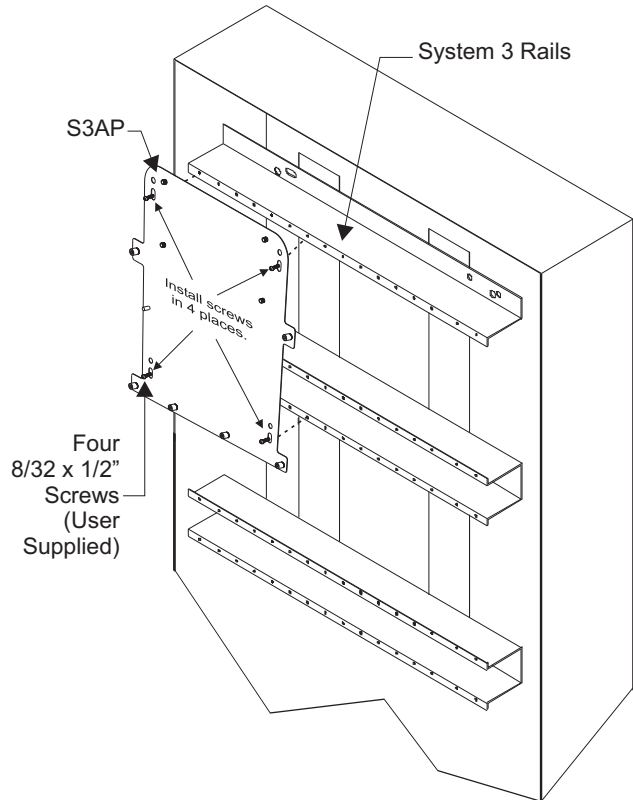


Figure 3
Mounting the S3AP on System 3 Rails