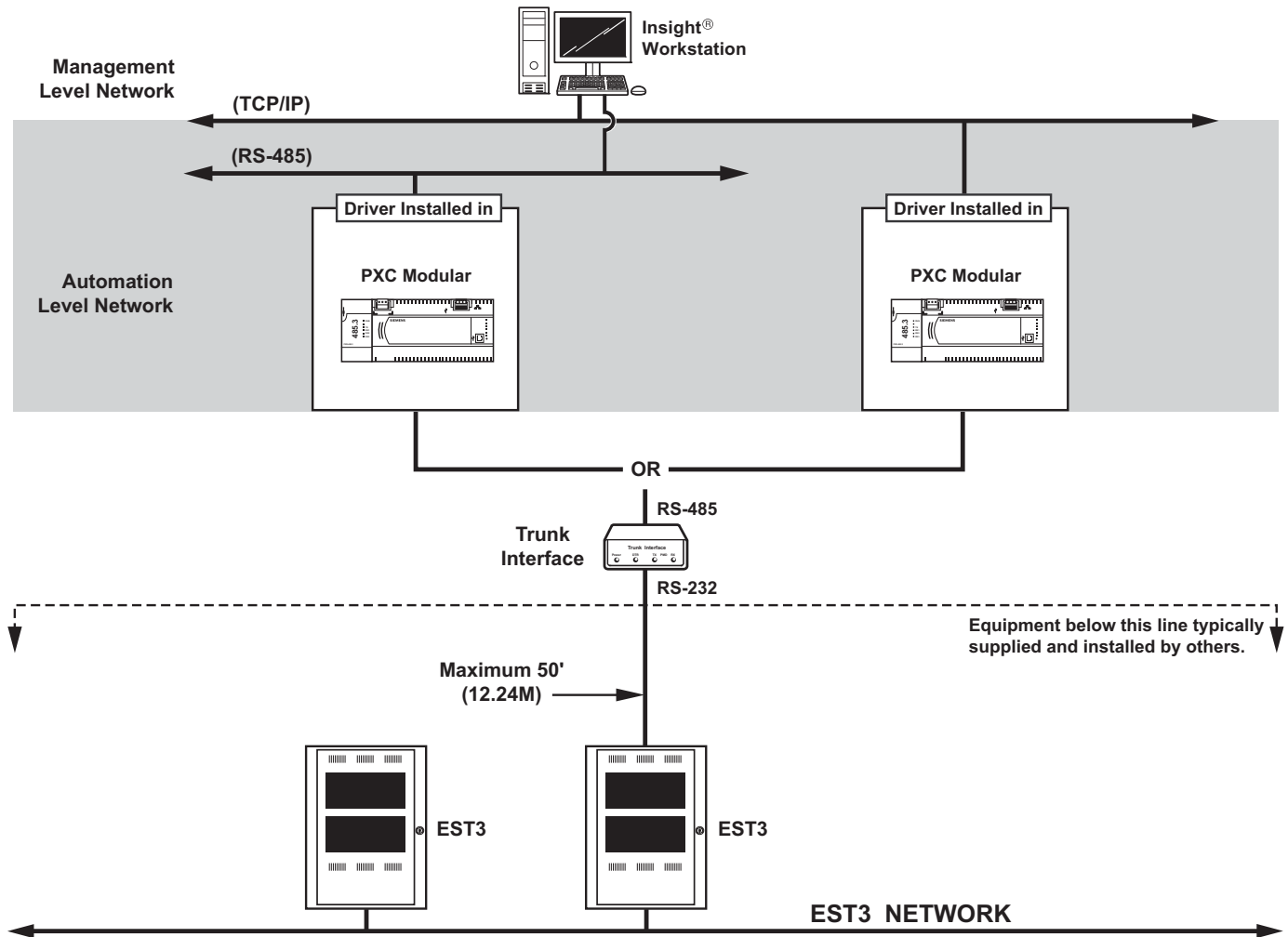


EST3 Driver on the PXC Modular Platform



GW1572R1

EST3 System Architecture.

Notes on System Architecture

The EST3 Driver provides communication between the APOGEE® Automation System and EST3 fire alarm system.

Functionality

The EST3 Driver performs basic alarm monitoring. It maps specific EST3 points into the APOGEE Automation System so that they can be accessed by standard applications such as PPCL, Equipment Scheduler, Trending, and Enhanced Alarming. It also allows the fire alarm system to leverage APOGEE options such as Remote Notification and APOGEE GO.

TX-I/O modules are supported for control of fans, valves, etc.; however, the driver does not support Floor Network Level devices. When configured according to the *EST3 Driver Installation Instructions*, the EST3 Driver is UL Listed for smoke control under UL 864 category UUKL. The driver will not affect, in any way, the operating sequence or safeties programmed into the EST3 fire alarm system.

Detector sensitivities can be commanded between Day and Night setpoints through the driver. EST3 custom messages may be dynamically used as enhanced alarm messages at the APOGEE Automation System.

Keys to Success

Ensure that all EST equipment to be integrated is supported by the EST3 Driver.

The EST3 system should be configured prior to the driver start-up. All interoperability requirements should be clearly defined.

Benefits

Mapping EST3 controller points into the APOGEE Automation System allows the EST3 system and the APOGEE Automation System to operate as a single system providing reduced operating, maintenance, training, and energy costs, increased employee productivity, increased diagnostic capabilities, and improved systems information.

Availability of fire alarm data at APOGEE workstations potentially eliminates the need for installation, maintenance, and training for duplicate user interfaces.

Making fire alarm activity available at the APOGEE Automation System allows the fire alarm system to trigger automated events such as:

- Fan shutdown
- Smoke control
- Emergency lighting activation
- CCTV activations
- Card access system door control

Products Supported

The EST3 Driver has been tested and found to be compatible with 3-CPU or 3-CPU1 controller cards using the following software/firmware versions:

- SDU - version 1.30.16 to 1.52.00, 3.20.00, and 3.51.00
- CCU - version 1.33.01 to 1.51.00, 3.20.00, and 3.50.00

Other versions may be compatible, but they have not been tested.

If there are any questions regarding EST3 fire alarm system, contact your local EST representative.

Ordering Information

Hardware Description	Product Number
PXC Modular, Ethernet or RS-485 ALN, 96 FLN nodes	PXC00-PE96.A
PXC Modular, Ethernet or RS-485 ALN, 96 FLN nodes, TX-I/O support	PXC100-PE96.A
Expansion Module, three RS-485 FLN connections	PXX-485.3
Trunk Interface II, 115V	538-670
Trunk Interface II, 230V	538-675

License Description	Product Number
License to enable the EST 3 Driver	LSM-INT-EST3

For more information, visit www.buildingtechnologies.siemens.com/bt/us.

Information in this document is based on specifications believed correct at the time of publication. The right is reserved to make changes as design improvements are introduced. APOGEE and Insight are registered trademarks of Siemens Industry, Inc. Other product or company names mentioned herein may be the trademarks of their respective owners. © 2011 Siemens Industry, Inc.

Siemens Industry, Inc.
Building Technologies Division
1000 Deerfield Parkway
Buffalo Grove, IL 60089-4513
U.S.A

Your feedback is important to us. If you have comments about this document, please send them to SBT_technical.editor.us.sbt@siemens.com.

Document No. 127-1741
Printed in the USA
Page 3 of 3