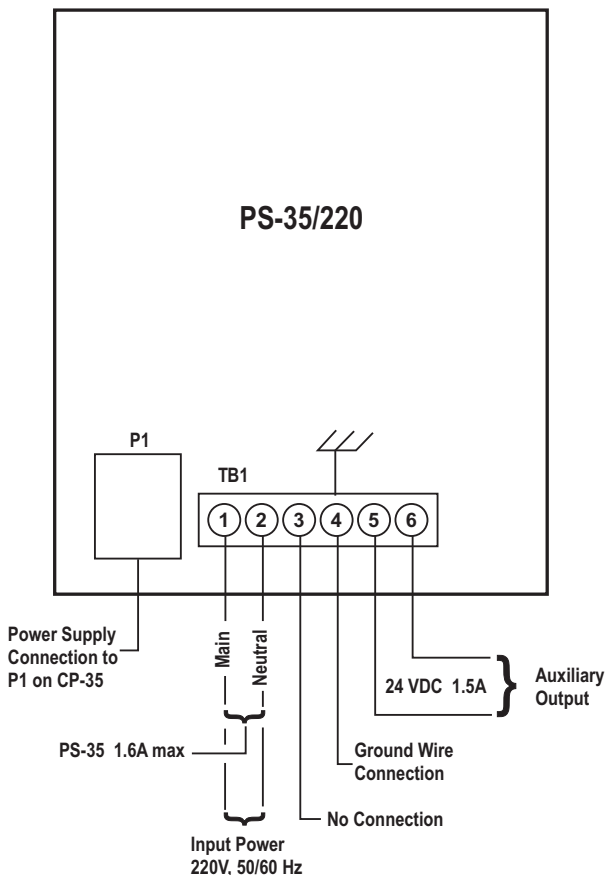


### Operation and Installation Instructions

Model PS-35/220

Power Supply Modules



**NOTE:**

TB1 positions 1, 2, 4-6 are non-power limited terminals. If power limited wiring is desired for terminals 5 and 6, use the PLM-35, P/N 315-093495.

### OPERATION

The Model PS-35/220 stepdown transformer and bridge from Siemens Building Technologies, Inc., provides a rectified, full wave 24 VDC output from an input supply of 220 VAC, 50/60 Hz. The input consists of a fused main power phase.

The 24 volt full wave output is rated at 9 amps DC, full load, and 6 amps DC, standby load. Separate output fuses are provided for both the main and auxiliary power outputs, fused at 15 amps and 2 amps, respectively.

When the PS-35/220 module is used as a separate 24 VDC power supply, with battery backup and jumper plug JP-PS, terminals 5 and 6 may provide the full 9A loading. Surge protection is provided at the input phase as well as the DC output.

### INSTALLATION

(Refer to Connection Diagram on the left.)

1. For use with the CP-35, the PS-35/220 must be mounted in an EB Series enclosure to the right on the same horizontal mounting bracket. Mount the module to the horizontal mounting brackets in the control enclosure. Select a convenient location so that the wiring runs are as short as possible. Note that the PS-35/220 occupies three module positions.

Note: When using the PS-35/220 as a stand-alone power supply, the module can be mounted on any horizontal bracket inside the enclosure. Refer to P/N 315-093680 for installation and power limited wiring instructions.

2. Connect wiring as necessary. Refer to P/N 315-093680 for wiring instructions.
3. Install protection cover plate over the terminals after making wiring connections.