



ARG70



ARG70.2



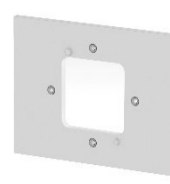
ARG70.3



ARG70.6



ARG86.3



ARG101

Accessories for Room thermostats

ARG70..
ARG86..
ARG101

For thermostats RAA, RAB, RCC, RCU, RDU, RDF, RDZ, RDQ, RCR

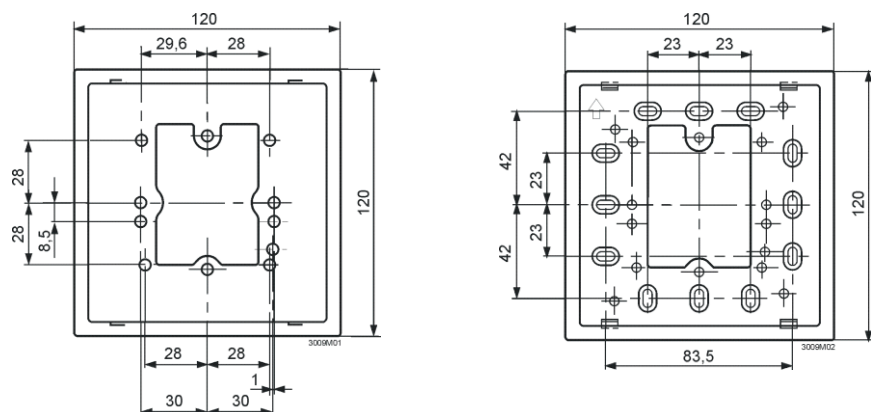
- Adapter plate for mounting onto conduit boxes
- Adapter-plate for surface run wiring
- Adapter plate for installation on rectangular flush-mounted boxes with fixing centers of approx. 83.5 mm
- Mounting frame (10 mm) for flush-mounted room thermostats
- Mounting kit for heat-cool changeover temperature sensor

Type summary

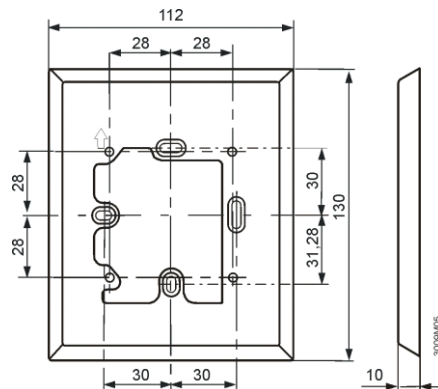
Type reference	Description	Used for	Dimensions (L x H x D)	Color
ARG70	Adapter plate for mounting onto conduit boxes (4" x 4"). Delivered with mounting screws	RAA, RAB, RCC, RCU	120 x 120 x 6 mm	RAL 9003
ARG70.2	Adapter-plate for surface run wiring. Delivered with mounting screws	RAA, RAB, RCC, RCU	112 x 130 x 10mm	RAL 9003
ARG70.3	Mounting bracket 10 mm for flush-mounted room thermostats RDF and RDU, used to provide additional space in the wall box.	RDF3..., RDU3..., RDF600...	81.5 x 81.5 x 10 mm	RAL 9003
ARG70.6	Mounting bracket 10 mm for flush-mounted room thermostats RDF and RDQ, to provide additional space in the wall box.	RDF..., RDU..., RDQ..	81.5 x 81.5 x 10 mm	RAL 9016
ARG86.3	Heat-cool changeover mounting kit for Temperature sensor (pipe mounting).	QAH11.1	36 x 12 mm	---
ARG101 S55772-T112	Adapter plate for mounting thermostats RDZ..ZB or wireless receivers RCR2.. on rectangular flush-mounted boxes with fixing centers of approx. 83.5 mm, compatible with Italian standard 3-module boxes, US 2x4 wall boxes, and equivalent New Zealand and Korean electrical boxes.	RDZ..ZB, RCR2..	115 x 88 x 6.85 mm	RAL 9003

Dimensions (in mm)

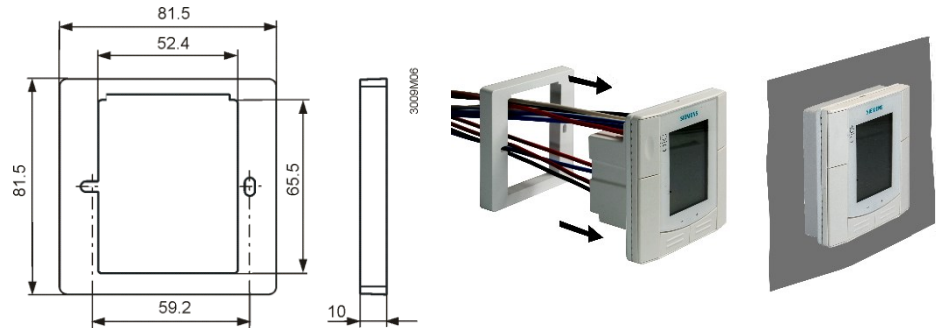
ARG70



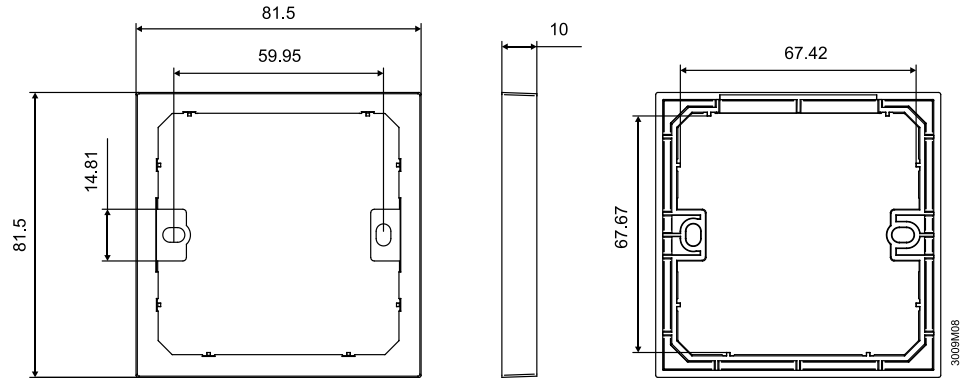
ARG70.2



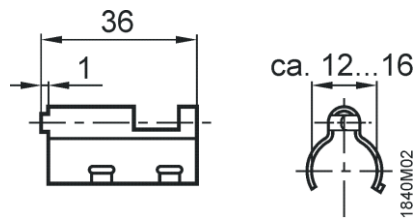
ARG70.3



ARG70.6



ARG86.3



ARG101

