

YORK ISN Enhanced Driver

These installation instructions only cover the connection of the YORK ISN Enhanced Driver to the YORK system. For hardware installation of the Modular Equipment Controller, see document number 565-570. For hardware installation of the Power Open Processor, see document number 565-571.

Product Description

The YORK ISN Enhanced Driver enables communication between the APOGEE® Automation System and the YORK system.

Product Numbers

986-84360A	YORK ISN Enhanced Driver, Open Processor with RS-485 ALN
986-84360B	YORK ISN Enhanced Driver, Open Processor with Ethernet ALN
986-84360C	YORK ISN Enhanced Driver, MEC with RS-485 ALN, 8DI, 8DO, 8AI, 8AO, point expansion support, HOA-ready
986-84360D	YORK ISN Enhanced Driver, MEC with RS-485 ALN, 8DI, 8DO, 8AI, 8AO, point expansion support, with HOA
986-84360E	YORK ISN Enhanced Driver, MEC with RS-485 ALN, 8DI, 8DO, 8AI, 8AO, point expansion support, modem, HOA-ready
986-84360F	YORK ISN Enhanced Driver, MEC with RS-485 ALN, 8DI, 8DO, 8AI, 8AO, point expansion support, modem, with HOA
986-84360G	YORK ISN Enhanced Driver, MEC with Ethernet ALN, 8DI, 8DO, 8AI, 8AO, point expansion support, HOA-ready

986-84360H	YORK ISN Enhanced Driver, MEC with Ethernet ALN, 8DI, 8DO, 8AI, 8AO, point expansion support, with HOA
986-84360L	YORK ISN Enhanced Driver, MEC with BACnet/IP ALN, 8DI, 8DO, 8AI, 8AO, point expansion support, HOA-ready
986-84360M	YORK ISN Enhanced Driver, MEC with BACnet/IP ALN, 8DI, 8DO, 8AI, 8AO, point expansion support, with HOA
986-84360N	YORK ISN Enhanced Driver, Open Processor with BACnet/IP ALN

Accessories

538-670	Trunk Interface II, 115V
538-675	Trunk Interface II, 230V

Warning/Caution Notations



WARNING:

Personal injury/loss of life may occur if you do not follow the procedures as specified.



CAUTION:

Equipment damage or loss of data may occur if you do not follow the procedures as specified.

Expected Installation Times

30 minutes.

Required Tools and Materials

- Flat-blade screwdriver (1/8-inch blade width).
- Wire strippers.

- Cabling and connectors. See the *Connecting the YORK ISN Enhanced Driver to the YORK System* section.



CAUTION:

Always wear an electro-static discharge wrist strap and discharge accumulated static before touching field panel components.

Prerequisites

- Driver hardware is installed according to its respective installation instructions.
- FLN Termination blocks installed, if any.
- One 115V or 230V receptacle (depending on device) to power the Trunk Interface II.

Depending on the type of installation, other prerequisites may have to be completed.

Connecting the YORK ISN Enhanced Driver to the YORK System

Follow these steps to connect the YORK ISN Enhanced Driver to the YORK system:

1. Make cables per diagram in Figure 1.
2. Install the Trunk Interface II per diagram in Figure 1.
3. Connect cables per diagram in Figure 1.
4. Plug in power supply for the Trunk Interface II per diagram in Figure 1.

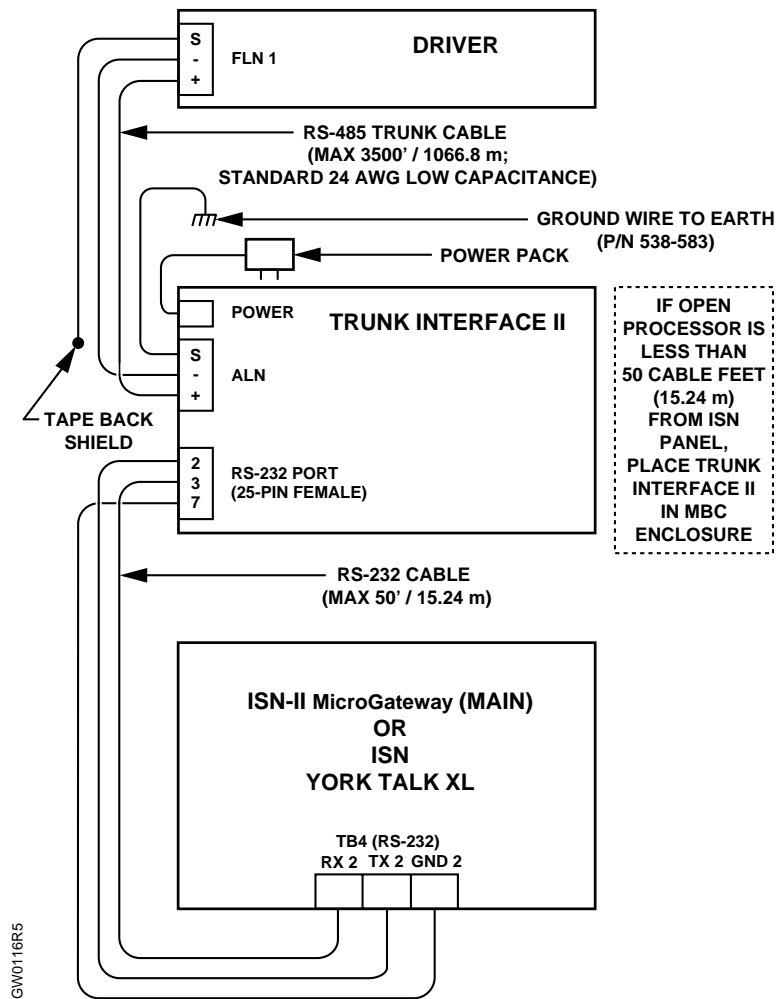


Figure 1. Connecting the YORK ISN Enhanced Driver to the YORK System.

Information in this document is based on specifications believed correct at the time of publication. The right is reserved to make changes as design improvements are introduced. Product or company names mentioned herein may be the trademarks of their respective owners.
© 2007 Siemens Building Technologies, Inc.