

# SIEMENS

## Installation Instructions

### Model FP2011-U1

### 6.5 Amp Power Supply Module

## INTRODUCTION

The Model FP2011-U1 is a modular power supply that provides primary regulated 26VDC power for normal operation. The FP2011-U1 is rated at 6.5A and is filtered and regulated. Regulation is +/- 0.25V under all load/line cases.

The module incorporates a 4.0A non-resettable slow-blow fuse on the primary input and includes a built-in AC line filter for surge and noise suppression. The FP2011-U1 mounts in a standard enclosure.

There are no serviceable parts to be maintained.

## INSTALLATION



**Remove all system power before installation, first battery then AC. (To power up, connect the AC first, then the battery.)**

The installation kit for the FP2011-U1 includes the following:

One	FP2011-U1 module
Four	#10 lock nuts
One	4-wire cable



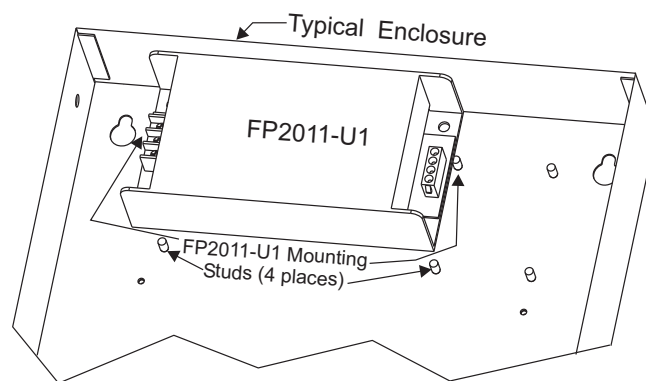
**For 240VAC installation, reference the Jumper Removal section on page 2 before installing the FP2011-U1 module.**

## Mounting

Mount the enclosure to the wall before mounting the FP2011-U1 power supply to the enclosure.

1. Make sure that the dedicated circuit breaker for the FP2011-U1 is turned off at the mains.
2. Place the FP2011-U1 housing over the four studs provided in the enclosure indicated in the system installation manual. (Refer to Figure 1 for a typical example.)

3. Using the lock nuts provided, secure the FP2011-U1 to the mounting studs of the enclosure.



**Figure 1**  
**FP2011-U1 Mounting in Typical Enclosure**

## Wiring

The FP2011-U1 is designed to operate from a 120 or 240 VAC, 50/60 Hz power source. Use a separate or dedicated circuit breaker. Wire in accordance with the authority having jurisdiction and Article 760 of the NEC NFPA 70 latest edition.

Run the earth ground from a suitable source to the FP2011-U1. Check local requirements. Conduit is not an acceptable earth ground conductor.

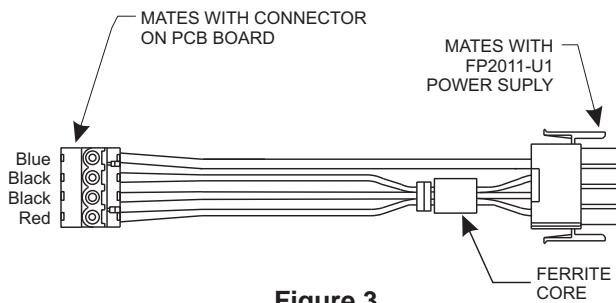
1. Connect the AC mains to the 3-position terminal block on the FP2011-U1 as shown in Figure 2.

Black (L - Live)  
White (N - Neutral)  
Green (G - Earth Ground)

2. Connect the 4-wire cable included in the installation kit to the 4-position header on the FP2011-U1. The cable is keyed and will connect in only one way. Connect the other end of the cable to the terminal block (TB) indicated in the system installation manual. This cable is also keyed and will connect in only one way. (Refer to Figure 3.)



**Figure 2**  
**Wiring the FP2011-U1**



**Figure 3**  
**FP2011-U1 Power Supply Cable**

## ELECTRICAL RATINGS

### Primary Power:

- Input: 120VAC or 240VAC,  
50/60Hz @ 2.0A Max.
- Output: 26VDC @ 6.5A Max.  
Max Current: 6.5A (2 Hours Max.)  
Filtered and Regulated

## JUMPER REMOVAL FOR 240VAC ONLY

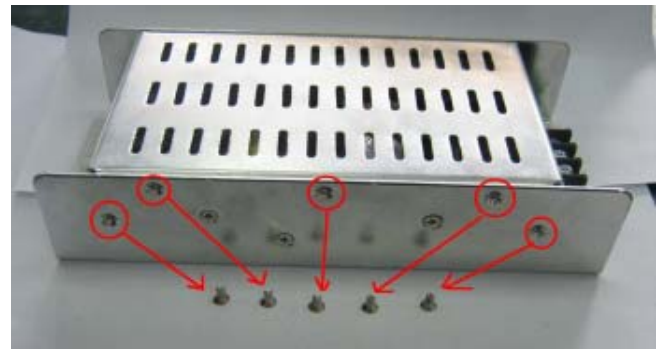


**Remove all system power before installation, first battery then AC. (To power up, connect the AC first, then the battery.)**

If the AC input is 240VAC, you will need to remove the cover of the FP2011-U1 housing and remove the jumper on J1. Follow the steps listed below.

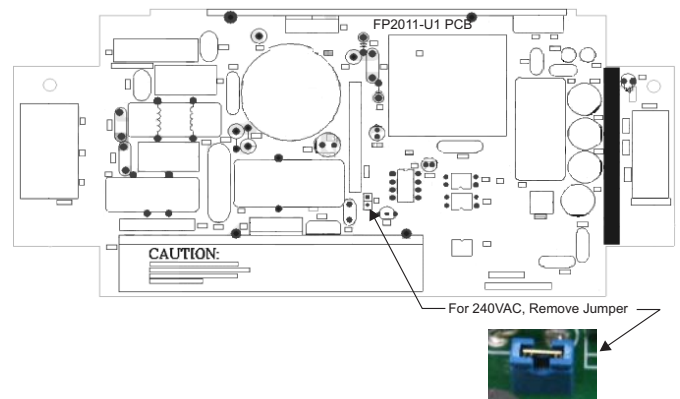
1. On the side of the housing with 5 screws, remove all 5 screws and place them to one side.
2. On the side of the housing with 8 screws, remove the 5 screws indicated in Figure 4 and place them to one side.

**DO NOT REMOVE THE REMAINING 3 SCREWS.**



**Figure 4**  
**Removing 5 Screws from the Side of the FP2011-U1 that has 8 Screws**

3. Take off the top cover.
4. Locate jumper J1. Refer to Figure 5 to find the location.



**Figure 5**  
**Location of Jumper J1 for 120VAC on the FP2011-U1 Power Supply (For 240VAC, Remove Jumper)**

5. Remove J1 by hand or by using a tool.
6. Replace the top cover on the FP2011-U1 and secure in place by installing the 10 screws that were removed.

## **Cyber security disclaimer**

Siemens products and solutions provide security functions to ensure the secure operation of building comfort, fire safety, security management and physical security systems. The security functions on these products and solutions are important components of a comprehensive security concept.

It is, however, necessary to implement and maintain a comprehensive, state-of-the-art security concept that is customized to individual security needs. Such a security concept may result in additional site-specific preventive action to ensure that the building comfort, fire safety, security management or physical security system for your site are operated in a secure manner. These measures may include, but are not limited to, separating networks, physically protecting system components, user awareness programs, defense in depth, etc.

For additional information on building technology security and our offerings, contact your Siemens sales or project department. We strongly recommend customers to follow our security advisories, which provide information on the latest security threats, patches and other mitigation measures.

<http://www.siemens.com/cert/en/cert-security-advisories.htm>

THIS PAGE HAS BEEN LEFT INTENTIONALLY BLANK.