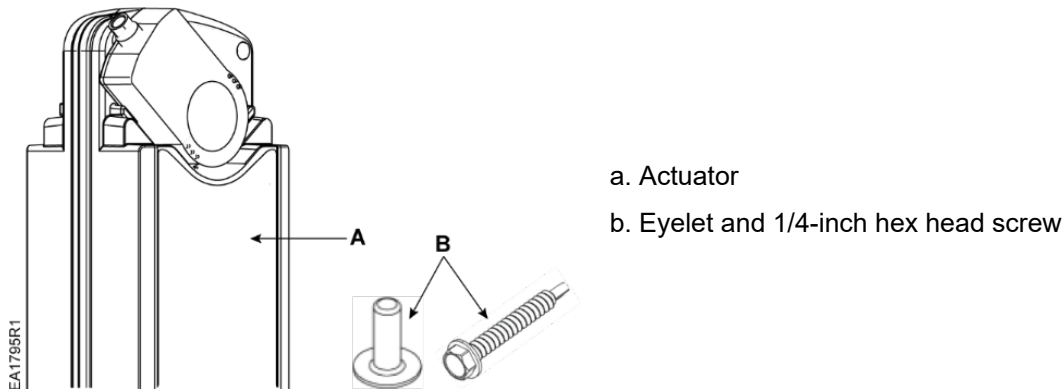


## GYD Series Electronic Damper Actuator Designed for UL Listed Fire/Smoke and Smoke Control Dampers



**Figure 1. GYD Actuator Parts.**

### Product Description

Step-by-step description for direct-coupled mounting of the GYD fast-acting, two-position, spring return, rotary electronic damper actuators. These actuators are intended for use on UL-listed smoke control dampers and combination fire/smoke-rated dampers.

### Product Numbers

GYD121.1U  
 GYD126.1U  
 GYD221.1U  
 GYD226.1U  
 GYD321.1U  
 GYD326.1U

### Warning/Caution Notations

<b>WARNING:</b>		Personal injury or loss of life may occur if you do not follow a procedure as specified.
<b>CAUTION :</b>		Equipment damage or loss of data may occur if you do not follow a procedure as specified.

### Required Tools

- No. 2 Phillips screwdriver
- Drill
- 1/4-inch (6.4 mm) hex driver
- 10 mm socket or box wrench

### Prerequisites



**WARNING:**  
 Do not open the actuator housing.



**CAUTION:**  
 Continuous use at voltages above the recommended tolerances may damage the actuator.

## Installation

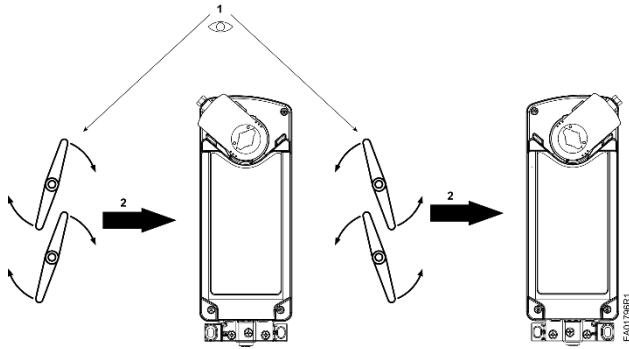


Figure 2. Actuator Mounting Orientation.

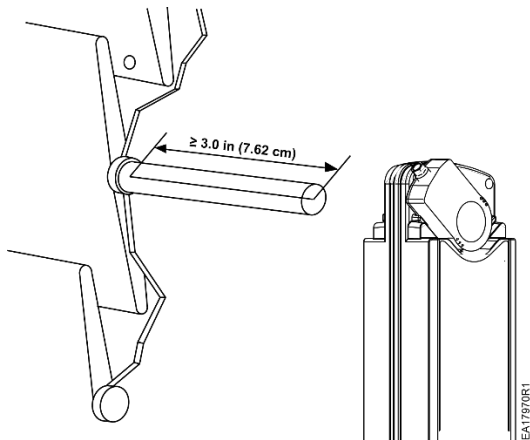


Figure 3. Shaft Length and Proper Shaft Adapter Location.

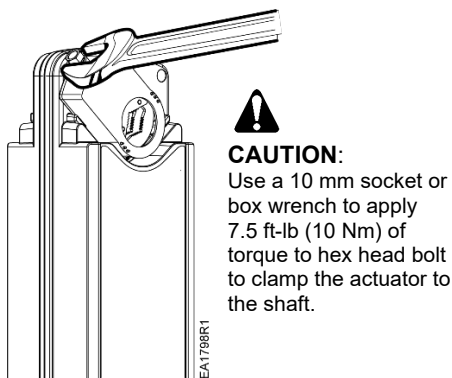


Figure 4. Fasten Shaft Adapter to Damper Shaft.

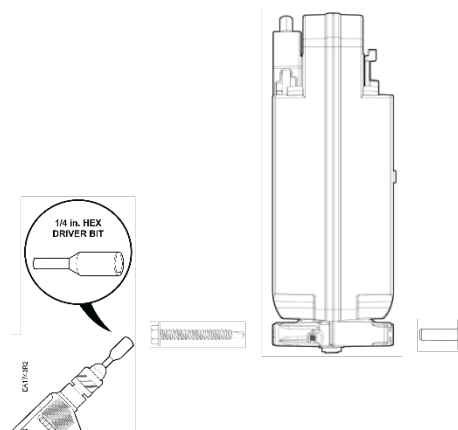


Figure 5.

1. Insert eyelet up through housing ear.
2. Insert screw through eyelet and tighten using 1/4-inch (6.4 mm) hex driver.

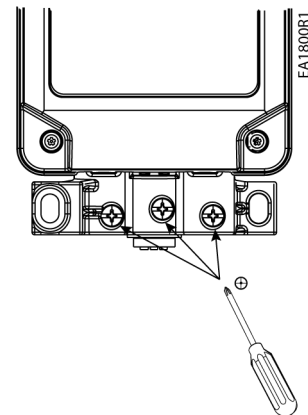
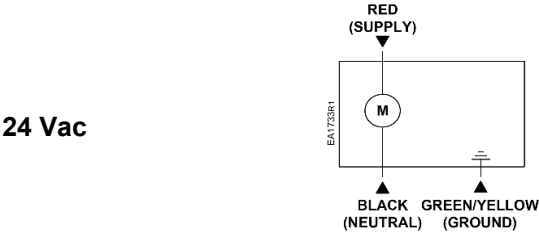


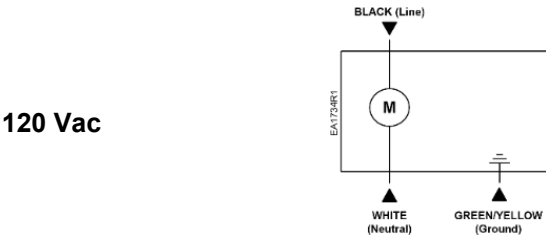
Figure 6. Tighten Conduit Screws (No. 2 Phillips Screwdriver).

# Wiring

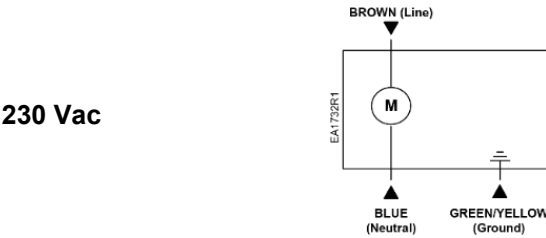
**NOTE:** All wiring must conform to NEC and local codes and regulations.  
**For installation in Canada:** must use a suitable wiring compartment or junction box.



Function	Color
Supply	Red
Neutral	Black
Ground	Green/Yellow



Function	Color
Line	Black
Neutral	White
Ground	Green/Yellow

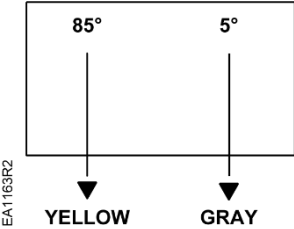


Function	Color
Line	Brown
Neutral	Blue
Ground	Green/Yellow

**CAUTION:**



These AC powered actuators must be wired with 230 Vac line with respect to Neutral, as indicated. The ground lead must be connected for proper protection of the actuator. Any other connection, such as phase-to-phase, can damage the actuator.



**Fixed Dual End Switches.**

**NOTE:** Both sets of contacts are open when actuator is between 5° and 85°.

Switch	Wire Color	Switch Makes	Switch Breaks
5°	Gray	< 5°	> 5°
85°	Yellow	> 85°	< 85°



**CAUTION:** Mixed switch operation to the switching outputs of both fixed dual end switches (5° and 85°) is not permitted.

Either AC line voltage from the same phase must be applied to all four outputs of the fixed dual end switches, or UL-Class 2 voltage must be applied to all four outputs.

## Electronic Fusible Link (EFL)

All GYD Electronic Damper Actuators are EFL-capable. EFLs are purchased separately. See Table 1.

**Table 1. Electronic Fusible Link Product Numbers.**

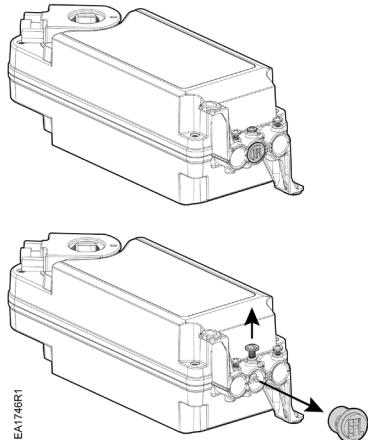
Part Number	Operation
ASK791.165	165°F (74°C)
ASK791.212	212°F (100°C)
ASK791.250	250°F (121°C)
ASK791.350	350°F (177°C)

**NOTE:**

All EFLs are low voltage and do not need to be wired in conduit.

To install an EFL, do the following:

1. Remove and discard the cover marked EFL.

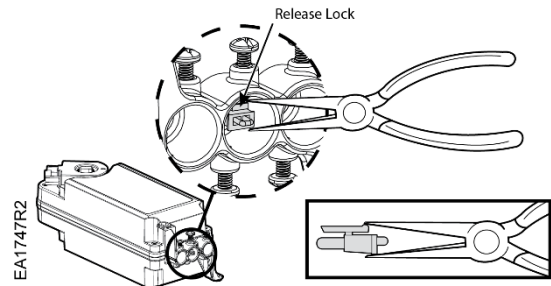


**Figure 7. Removing the EFL.**

2. Use a small, needle-nose pliers to squeeze the release lock of the jumper plug and remove the jumper plug.

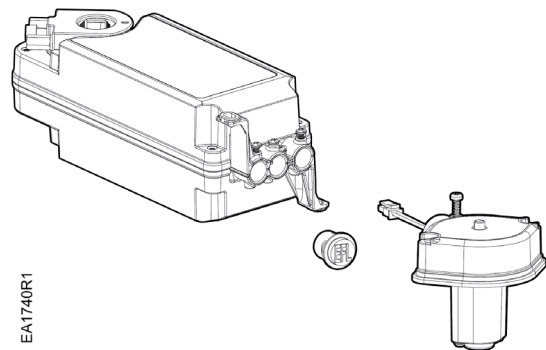
**NOTE:**

Remove the entire jumper plug, including the wire loop.



**Figure 8. Removing the Jumper Plug.**

3. Insert the quick connect plug from the EFL and ensure that the cable is secure.



**Figure 9. Inserting the Quick Connect Plug.**

**NOTE:**

If you are not using an EFL, do not modify the actuator. An EFL or jumper plug must be installed for actuator to work properly.

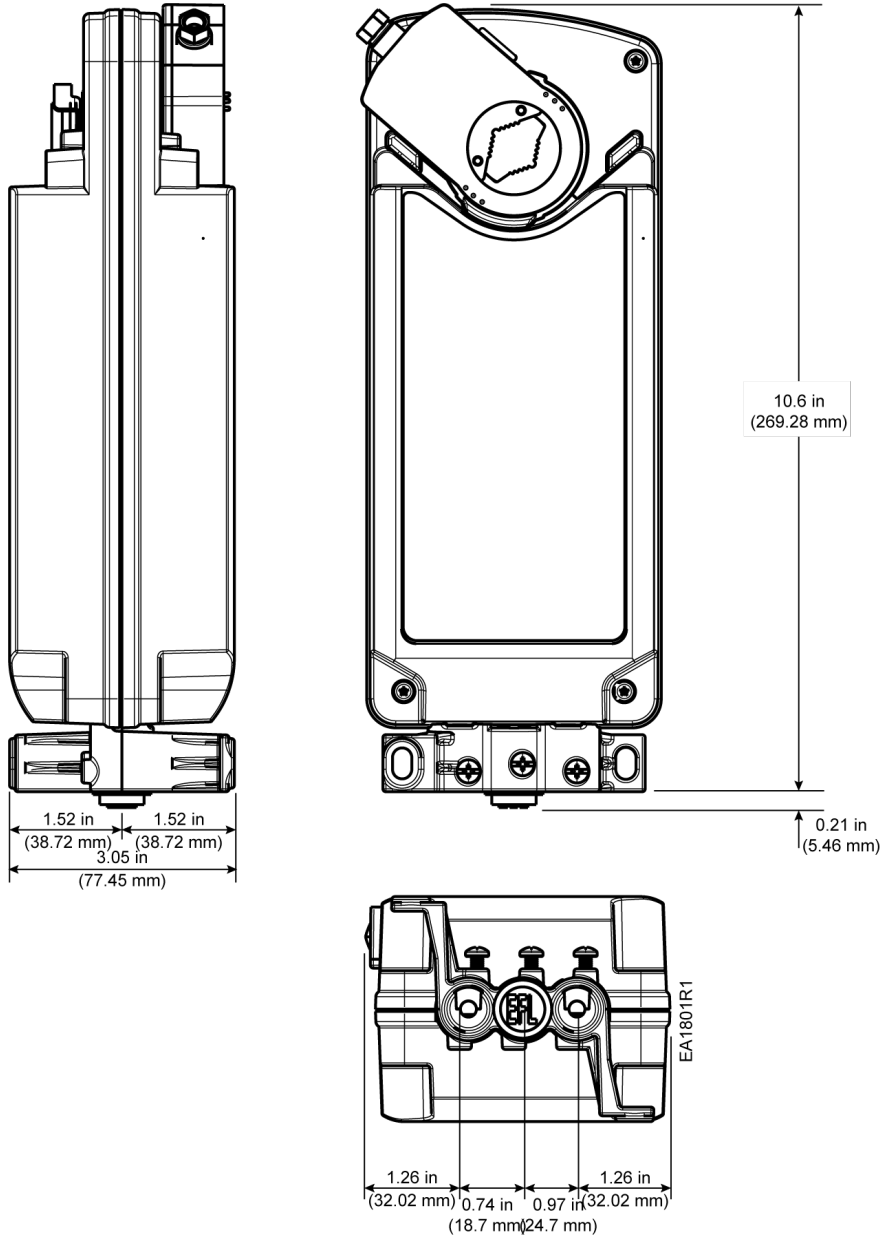
**Maintenance**



**CAUTION:**

The GYD actuators do not require any periodic cycling to function properly as an integral part of an active smoke control damper system. **The National Fire Alarm Code NFPA 72 states that all life safety systems are to be functionally checked at least annually.** Check the smoke control damper/actuator every time you functionally check your smoke detectors, emergency lights, and/or power generators for operation.

**Dimensions**



**Figure 10. Dimensions of the GYD OpenAir Actuators in Inches (mm)**

Information in this publication is based on current specifications. The company reserves the right to make changes in specifications and models as design improvements are introduced. Product or company names mentioned herein may be the trademarks of their respective owners. © 2020-2026 Siemens Industry, Inc.

**Siemens Industry, Inc.**  
 Smart Infrastructure  
 1000 Deerfield Parkway  
 Buffalo Grove, IL 60089-4513  
 USA  
 Tel. 1 + 847-215-1000

Your feedback is important to us. If you have comments about this document, please send them to [SBT\\_technical.editor.us.sbt@siemens.com](mailto:SBT_technical.editor.us.sbt@siemens.com).

Document No. A5W02640138  
 Printed in the USA  
**Page 5 of 5**