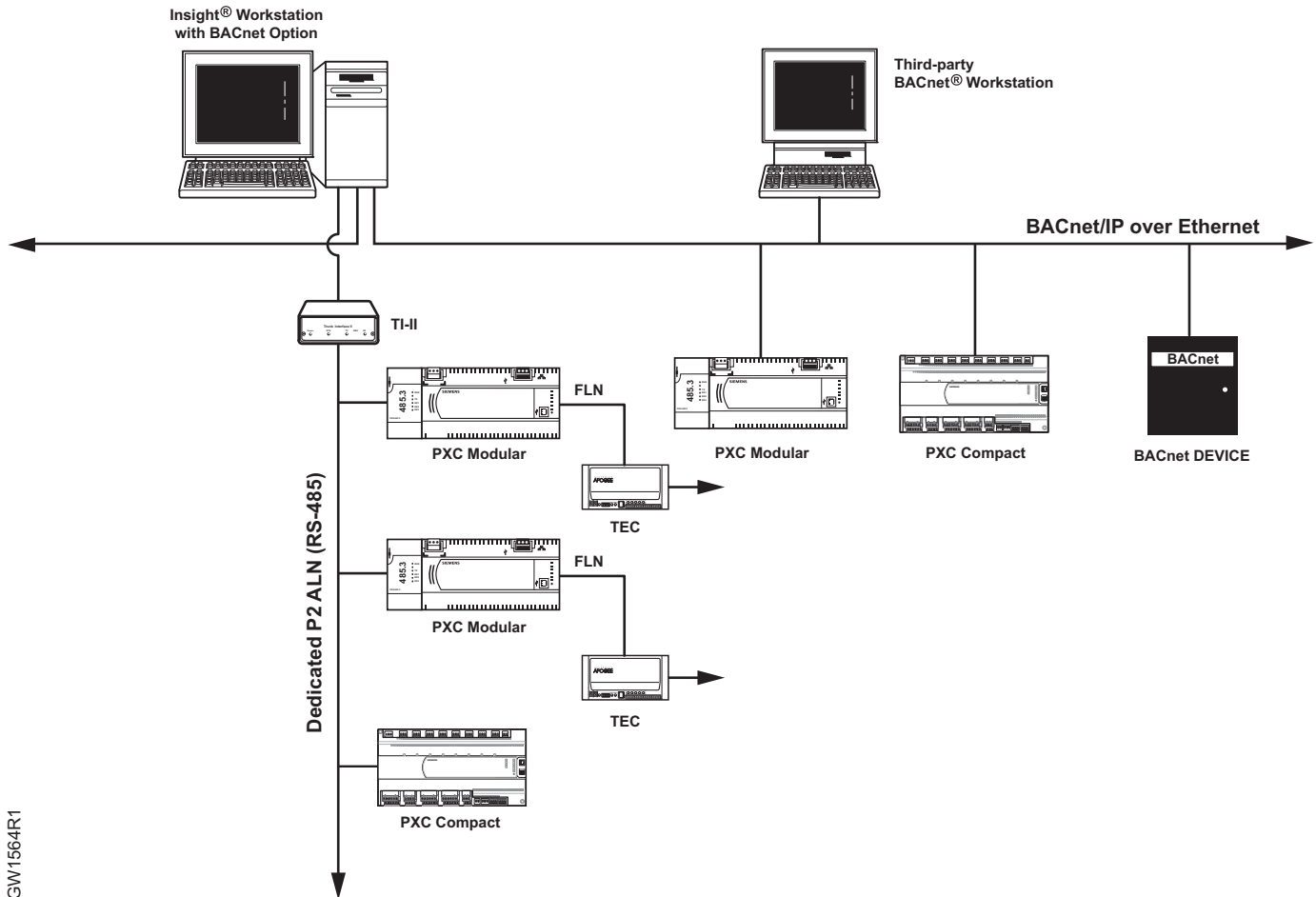


Systems Integration

BACnet Client and Server for Insight® Software



System Architecture.

GW1564R1

Notes on System Architecture

The BACnet Option for Insight® software provides communication between the APOGEE® Automation System and a third-party BACnet® system.

Communication between systems is via Ethernet or BACnet/IP. A Trunk Interface II is required to convert RS-232 to RS-485 between the Insight software and the Automation Level Network (ALN).

Functionality

The BACnet Option for Insight software is a multi-tasking platform designed for multi-system communication and control. The BACnet Option resides on the Insight software package and communicates with APOGEE field panels and controllers, and third-party BACnet systems.

The BACnet Option may operate as a BACnet server and as a BACnet client. The BACnet Client Option supports BACnet objects and services, including device and object discovery, monitoring, and commanding. It also supports BACnet trending, scheduling, alarming, database upload and download, and time synchronization. The BACnet Server Option can export APOGEE point information as BACnet objects, so a third-party BACnet Ethernet or BACnet/IP system may monitor and command points, and monitor and acknowledge alarms within the APOGEE Automation System. See the PIC statement or BIBBS for complete functionality.

Keys to Success

Ensure that all BACnet equipment to be integrated is supported by the BACnet Option for Insight software.

In addition, a thorough understanding of the Windows® Server 2003/2008 or Windows XP/Vista/7 environment is necessary for effective implementation and maintenance.

Benefits

Systems integration brings the powerful facility control capabilities of the APOGEE Automation System together with the third-party BACnet system. Integrating the BACnet points allows both systems to operate as a single system providing marked advantages in the following:

- Reduced operating and training costs.
- Increased employee productivity.
- Increased diagnostic capabilities to extend equipment life.
- Improved systems information and control.
- Maximized energy savings.

APOGEE points may also be exported as BACnet objects to a third-party BACnet system, which allows multi-vendor systems to be operated as a single system.

Products Supported

The BACnet Option for Insight software supports BACnet systems and is compatible with Windows® Server 2003/2008 or Windows XP/Vista/7. Testing is required to guarantee system compatibility.

If there are any questions regarding the third-party BACnet system, contact your local Siemens Industry representative.

Ordering Information

Description	Product Number
BACnet Client for Insight Software Revision 3.7 or Later	571-188
BACnet Server for Insight Software Revision 3.7 or Later	571-189

Information in this document is based on specifications believed correct at the time of publication. The right is reserved to make changes as design improvements are introduced. APOGEE and Insight are registered trademarks of Siemens Industry, Inc. Other product or company names mentioned herein may be the trademarks of their respective owners. © 2011 Siemens Industry, Inc.