

Notification Appliances

‘Acend’ Intelligent Series – Horns | Strobes | Horn- Strobes

Applications : Indoor, Ceiling-Only

Architect & Engineer Specifications

- Compatible with the Siemens Cerberus PRO Modular and Desigo Modular Fire Alarm Control Panels (FACPs) via the XNLC card
- Self-Testing Capability with Disturbance-Free Testing (DFT^{technology})
 - Momentary Functional Test and Comprehensive Test meet NFPA 72 functional test requirements
- Addressable Devices with unique addresses
- Built-in ISO^{Technology}
- Cloud Connectivity and Compatibility
- Energy Efficient and Sustainable
 - Siemens EcoTech Certification
- LED Status Indicator
- Six (6) configurable Candela settings:
 - 15cd | 30cd | 75cd | 110cd | 135cd | 185cd
- High / Low Horn Sound Output
- 12 Horn and Tone Patterns (configurable)
- Tamper Resistant
- UL 1638 | UL 1971 | UL 464 Listed
- ULC 525 | ULC 526 Listed
- FCC Part 15 and RoHS Compliant

Product Overview

The Acend™ Intelligent notification appliances are the first of their kind; addressable, self-testing and with built-in isolators (ISO^{Technology}). These intelligent notification appliances are designed for smart connectivity and greater efficiency to meet the ever evolving industry needs.

Acend™ Intelligent series notification appliances feature the latest cutting-edge technology:

- **Self-Testing Capability** – Self-testing ensures smoother operations, increases up-time, boosts inspection accuracy, and streamlines testing and inspection procedures. Cloud-Exclusive Disturbance-Free Testing (DFT^{technology}) reduces disruptions and improves business continuity. Available self-tests range from the **Discreet Test** (Disturbance-Free) to the **Momentary Functional Test** (Chirp Test), all the way up to the **Comprehensive Test** (Full System Test). The Comprehensive Test and the Momentary Functional Test meet annual functional test requirements of NFPA 72. requirements. (**Note:** Visual inspection is still required.)
- **Addressability** – Every ‘Acend’ Intelligent series device has a unique digital address. This addressable feature allows for individual customizations in a single device or categorization of devices into logical groups. The addressable intelligent devices can be programmed for test or activation on multiple notification zones on one circuit. Devices can also be programmed to activate/test on a zone level, to prevent interruption in other zones and even on a single device level. Configuration of various device attributes is available using the Modular system’s ZEUS configuration tool.
- **Built-in ISO^{Technology}** – The built-in ‘Class X’ isolation technology allows seamless integration, efficient maintenance and quicker troubleshooting of these appliances. This isolation feature greatly improves reliability, circuit integrity and provides advanced addressable fault finding. It also streamlines system design and use of resources, making installation and maintenance costs more efficient. With ‘Class X’ isolation, a short circuit situation between two appliances will not shut down the circuit, providing great system survivability.
- **LED Status Indicator** – The ‘Acend’ Intelligent series notification appliances are designed with a built-in LED, which indicates the real-time system status such as *Alarm, Trouble, and Normal*.
- **Cloud Connectivity** - Every intelligent addressable appliance in this series is designed with automation in mind. By connecting to the Modular system panels to the cloud, these appliances can provide real-time information like device status, test reports, troubles, etc. They can also be monitored through a cloud interface and initiate self-tests via *Building X Fire Apps*.



Horn

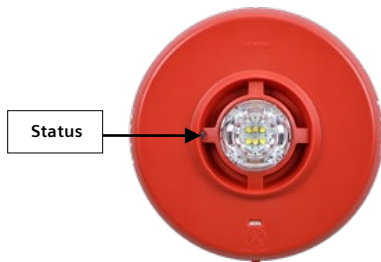


Strobe



Horn-Strobe





LED Status Indicator

Status	Color	Flashing	Description
Alarm	Red	1× per 10s	Indicates that fire alarm and signaling is activated.
Trouble	Yellow	1× per 4s	Indicates that the appliance has unresolved reported troubles.
Normal	Green	1× per 10s	Indicates that the appliance works in normal mode.

Product Overview (cont.)

All 'Acend' Intelligent series devices have Siemens **EcoTech** Certification, an environmental self-declaration, based on sustainability evaluations. These notification appliances use recycled materials and sustainable packaging, minimizing waste throughout their lifecycle and reducing environmental impact.

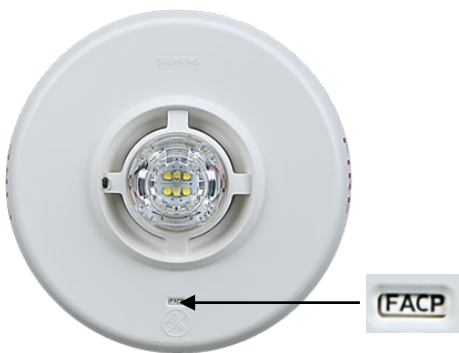
These appliances are specifically designed for Lower Energy consumption and can be refitted with field adaptable hardware including alternate covers and colored lenses.

All the 'Acend' intelligent devices have T-tap compatibility. **Note:** To take full advantage of the ISOtechnology features and to achieve 'Class X' systems, T-Tapping should be avoided.

Specifications

Models 'SA-HN-C' - series Horns, 'SA-ST-C' - series Strobes and 'SA-HS-C' - series Horn-Strobes can be programmed with the Modular Panel ZEUS configuration tool. With the ability to utilize unique logic options, different colored strobes can be in the same room or in a zone while activation can be based on specific inputs, such as Alarm, Gas, Smoke, Heat, etc. Horn outputs can be adjusted to 'High' or 'Low' levels. Horn-patterns can be programmed to play different tones for different priorities depending on various inputs.

Note: The device settings like Horn and Tone patterns, Volume, Candela levels, etc. are set via the system configuration tool, not on the device itself.



The Strobes and Horn-Strobe appliances meet the 20-millisecond light-pulse-duration requirements of the 2022 edition of NFPA 72.

All these intelligent appliances are designed for low current draw (16 – 32 VDC) with a flash rate of 1Hz.

All strobe devices have six (6) configurable candela settings: 15cd | 30cd | 75cd | 110cd | 135cd | 185cd

The Horns, Strobes, and Horn-strobe devices have convenient mounting options for faster and easier installation.

These appliances are tamper-resistant when used in conjunction with the LK-11 locking screw.

All inputs employ three IN / OUT wiring terminals, using #12 to #18 AWG wiring.

All appliances are UL/ULC listed as "Special Application 16 to 32VDC" and compliant with applicable clauses of FCC Part 15.

These intelligent appliances are UL/ULC listed for indoor ceiling-mount applications.

Standard listings for these appliances are: UL464, UL1638, UL1971 | ULC 525, ULC 526 | FCC Part 15 | ROHS

Compatibility

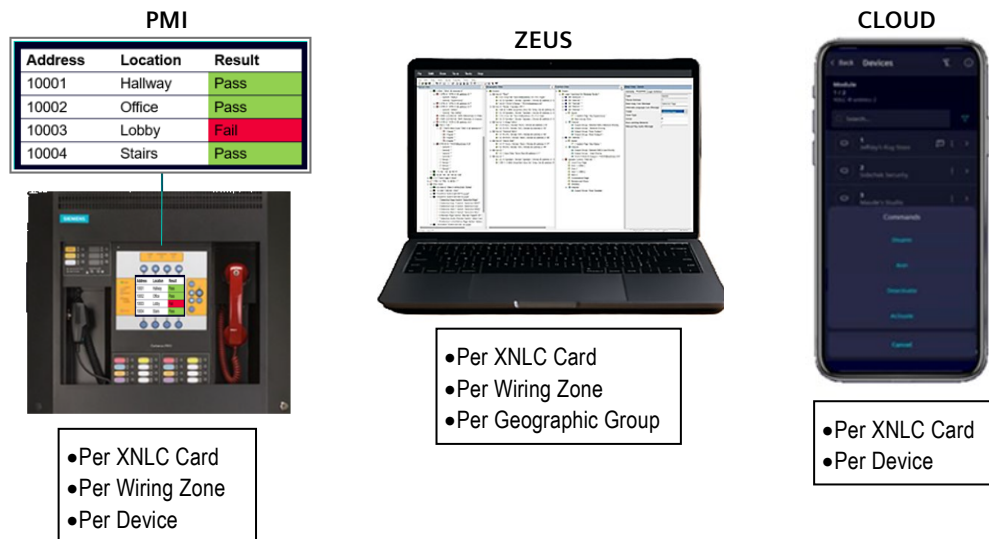
The Acend intelligent appliances are not backwards compatible with conventional notification appliances. The intelligent appliances do not get connected to the traditional NAC circuits, but rather a dedicated Acend intelligent circuit off of the XNLC card of the modular panel. They are not compatible with any other Siemens panels, 3rd party panels, or PADs. Acend intelligent appliances are not able to be installed on the same circuits as initiating devices (even though they may all be addressable), and must be on their own dedicated circuits.

Self-Testing with DFTtechnology

The Acend Intelligent devices offer powerful and unique Self-Testing options. Comprehensive self-testing can be completed in a matter of seconds for all devices on an entire system.

- **Discreet Test (Disturbance-Free)**
 - Strobes may produce a very brief dim-glow and audibles should be limited to a click.
 - Small currents are passed through the audible and visible (strobe) elements.
 - Checks elements for electrical viability.
 - Superior to self-supervision. Self-supervision happens continuously and automatically on all Acend intelligent appliances, but the supervision does not have nearly the same diagnostic range as the discreet self-test.
- **Momentary Functional Test (Chirp Test)**
 - Strobes will produce a brief flash and audibles will chirp.
 - Audible and visible elements are activated and sensors are used to detect the presence of sound and/or light.
 - This ensures the functionality of the elements. Bear in mind that this does not verify that mechanical means have not been used to inhibit the device, therefore visual checks should still be performed.
 - Meets NFPA72 Annual Functional Test requirements.
NOTE: Visual inspection is still required.
- **Comprehensive Test (Full System Test)**
 - Strobes flash and audibles produce sound for approximately 15 seconds.
 - Performs at pre-configured light and sound levels / patterns and built-in sensors verify they hear a tone and see light.
 - Can select any notification priority (Alarm, Alert, Aux).
 - Meets NFPA72 Annual Functional Test requirements.
NOTE: Visual inspection is still required.

There are 3 Ways to Initiate Self-Tests: at the **Person-Machine Interface (PMI)**, using **ZEUS** configuration tool, or via **Cloud**.



Note: Acend Intelligent appliances will sync across XNLC cards in the same panel including transponders networked using NIC-C's or XINC's, using Ethernet or Fiber modules.

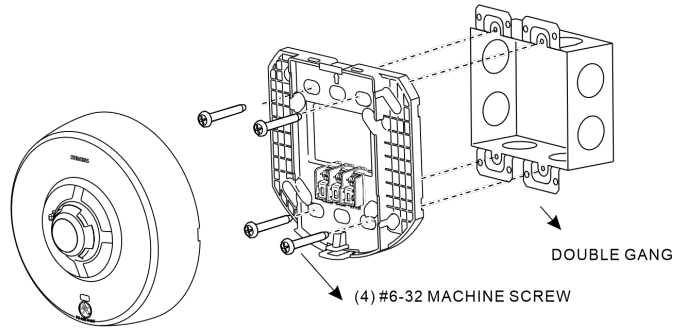
Accessories (Addressability / Testing)

Acend DPU/FFA Adapter for Programmer/Tester

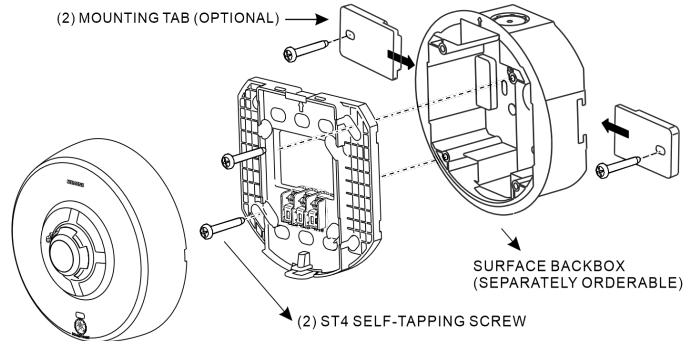
The ACEND-ADPT Adapter is a mechanical interface, compatible with the DPU and the Fire Field Assist (FFA). This adapter is required for assigning addresses to the Acend Intelligent appliances and/or interacting with the FFA's additional features (i.e. self-testing). **Note:** Only one adapter is needed per DPU/FFA, not per notification appliance. (Refer to Datasheet# 2622 for more information)

Mounting Diagrams

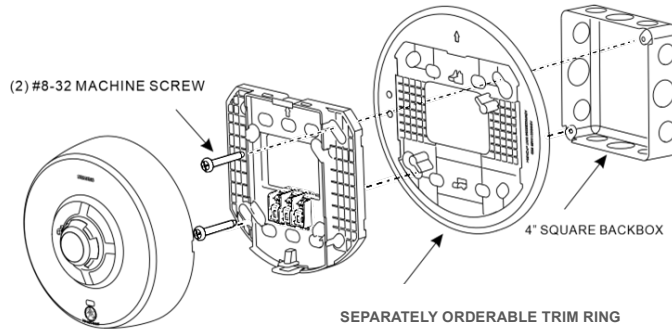
Option 1: Double Gang Mount (Also compatible with Single Gang, 4" Square Backbox or Octagon Backbox)



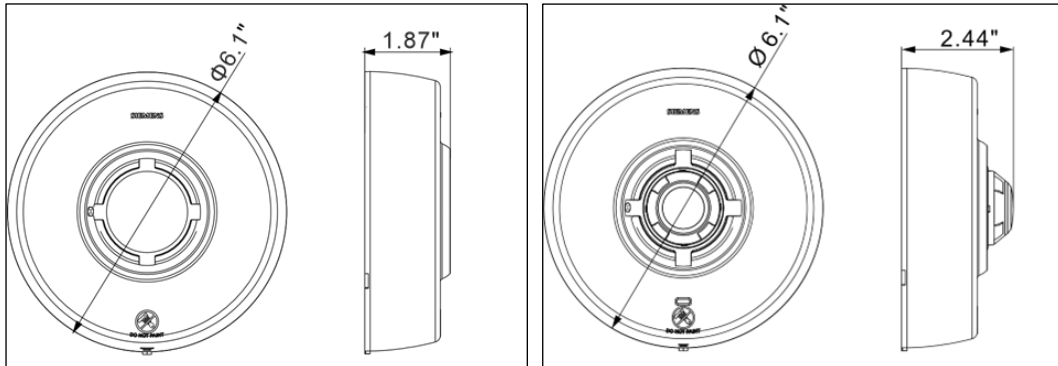
Option 2: Surface Mount



Option 3: 4" Square Backbox Mount with Ceiling-Mount Mounting Plate and Trim Ring



Dimensions



The dimensions and footprint are the same between Acend conventional and intelligent appliances.

Horn-Strobes | Output Current Draw (UL) (Max.)

Current Draw (mA) @ 16 - 32VDC							
Horn Pattern	Volume	Candela Settings					
		15cd	30cd	75cd	110cd	135cd	185cd
Horn	High	32	36	63	92	137	194
	Low	16	27	54	80	128	170
Bell	High	14	24	47	75	121	169
	Low	13	21	48	75	104	163
March Time 120 Horn	High	32	36	63	92	137	194
	Low	16	27	54	80	128	170
Temporal Code 3 Horn	High	32	36	63	92	137	194
	Low	16	27	54	80	128	170
Temporal Code 3 Tone	High	32	36	63	92	137	194
	Low	16	27	54	80	128	170
Slow Whoop	High	17	25	55	81	127	180
	Low	16	24	51	75	123	165
Siren	High	17	25	55	81	127	180
	Low	16	24	51	75	123	165
HI/LO	High	17	25	55	81	127	180
	Low	16	24	51	75	123	165
Temporal Code 4	High	32	36	63	92	137	194
	Low	16	27	54	80	128	170
Canadian March Time 30	High	32	36	63	92	137	194
	Low	16	27	54	80	128	170
March Time 30 Horn	High	32	36	63	92	137	194
	Low	16	27	54	80	128	170
March Time 60 Horn	High	32	36	63	92	137	194
	Low	16	27	54	80	128	170

Strobe | Output Current Draw (UL) (Max.)

Current Draw (mA) @ 16 - 32VDC						
Models: SA-ST-CR-F SA-ST-CW-F	Candela Settings					
	15cd	30cd	75cd	110cd	135cd	185cd
		12	18	45	71	117

Horn | Strobe | Horn-strobe | Supervisory Current Draw (UL) (Avg.)

Models:	Supervisory Current (mA)
SA-HN-CR-N	0.24
SA-HN-CW-N	
SA-ST-CR-F	0.35
SA-ST-CW-F	
SA-HS-CR-F	0.37
SA-HS-CW-F	

Horn | Output Ratings (Max.)

Models: SA-HN-CR-N SA-HN-CW-N	Reverberant dBA Per UL 464 at Voltage Range 16 to 32V			
	Horn Pattern	16V	24V	32V
	Continuous I Code 3 Horn I Code 4 Tone	High dBA	High dBA	High dBA
		82	86	89
	Low dBA	Low dBA	Low dBA	
		80	84	86

Horn-Only | Output Current Draw (UL) (Max.)

Current Draw (mA) @ 16 - 32VDC		
Horn Pattern	Volume	Current Draw (mA)
Horn <i>(Broadband continuous tone) (UL Listed for Fire)</i>	High	30
	Low	15
Bell <i>[Modulated (0.07 Sec. ON/Repeat)]</i>	High	8
	Low	4
March Time 120 Horn <i>(0.2375 Sec. ON/0.2375 Sec. OFF/Repeat)</i>	High	30
	Low	15
Temporal Code 3 Horn <i>(ANSI S3.41 Temporal Pattern) (UL Listed for Fire)</i>	High	30
	Low	15
Temporal Code 3 Tone <i>[500 Hz (ANSI S3.41 Temporal Pattern)]</i>	High	30
	Low	15
Slow Whoop <i>[500-1200Hz Sweep (3.75 Sec. ON/0.25 Sec. OFF/Repeat)]</i>	High	18
	Low	5
Siren <i>[600-1200-600Hz Sweep (1.0 Sec. ON/Repeat)]</i>	High	18
	Low	5
HI/LO <i>[1000/800 Hz (0.5 Sec. ON/Alternate)]</i>	High	18
	Low	5
Temporal Code 4 <i>[Temporal 4 Tone ANSI S3.41 Temporal pattern (Low-power mode after 4 minutes)(UL Listed for CO)]</i>	High	30
	Low	15
Canadian March Time 30 <i>(0.2 Sec ON/1.8 Sec OFF/Repeat)</i>	High	30
	Low	15
March Time 30 Horn <i>(0.95 sec ON/0.95 sec OFF/Repeat)</i>	High	30
	Low	15
March Time 60 Horn <i>(0.475 sec ON/0.475 sec OFF/Repeat)</i>	High	30
	Low	15

GENERAL NOTES:

1. Strobes are designed to flash at 1-flash-per-second minimum over their " Regulated Voltage Range."
2. NFPA-72 specifies a flash rate of 1-to-2 flashes-per-second.
3. All Candela ratings represent minimum effective Strobe intensity based on UL 1971.

Technical Data

General Properties

'Acend' Series Horns / Horn-Strobes	
OPERATING TEMPERATURE:	- 32°F (0°C) to 122°F (50°C) - for indoor use only
RELATIVE HUMIDITY:	95%
OPERATING VOLTAGE RANGES:	16 to 32VDC
STROBE OUTPUT RATING:	- Field-selectable Candela outputs: 15cd 30cd 75cd 110cd 135cd 185cd
STROBE FLASH RATE:	Strobes are designed to flash at one-flash-per-second
STROBE SYNCHRONIZATION:	Compatible with Cerberus PRO Modular and Desigo Modular Panel Systems Only (on the XNLC card)
TEMPORAL SETTING:	Ten (10) field-selectable Horn Patterns (See List of Horn Patterns in Horn-Only Output Current Draw & Horn/Strobe Output Current Draw Tables on Page 4)

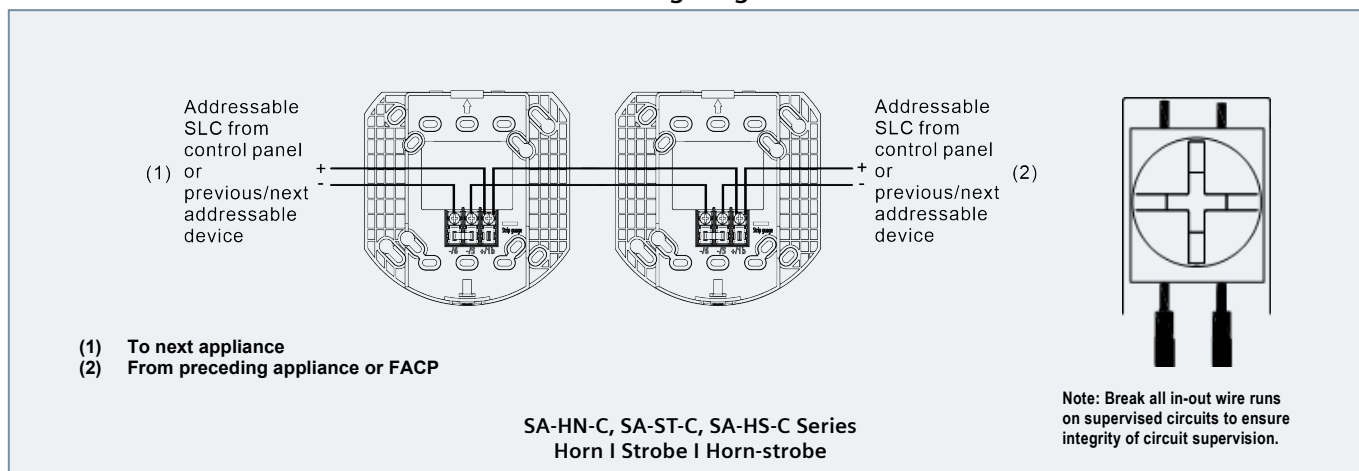
Physical Properties

'Acend' Series Horns / Horn-Strobes	
MATERIAL:	All appliances are made from environmentally friendly recyclable plastics.
WEIGHT:	Horns: 295 gm (0.65lb) Strobes: 319 gm (0.7lb) Horn-Strobes: 342 gm (0.75lb)
LENS TYPE:	LED strobe situated in a rugged Lexan lens
DIMENSIONS:	Horns: 6.1" (15.4 cm.) x 1.87" (4.75 cm.) Horn-Strobes: 6.1" (15.4 cm.) x 2.44" (6.2 cm.)







Mounting and Wiring Properties

'Acend' Series Horns / Horn-Strobes	
INDOOR MOUNTING:	- Ceiling-mount applications - Surface Mount, Single-Gang, Double-Gang, Octagon backboxes or 4" (10.2 cm.) Square Box
WIRING TYPE:	#12 – #18, American Wire Gauge (AWG)

Wiring Diagrams



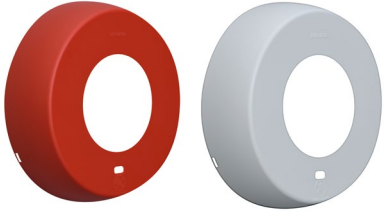




Details for Ordering

MODEL	PART NUMBER	APPLIANCE TYPE	STROBE TYPE	FACEPLATE COLOR	MOUNTING TYPE	FACEPLATE LETTERING	IMAGE
SA-HN-CR-N	S54362-F13-A1	Horn	- None -	RED	CEILING	- No Lettering -	
SA-HN-CW-N	S54362-F13-A2		- None -	WHITE	CEILING	- No Lettering -	
SA-ST-CR-F	S54362-F7-A1	Strobe	Clear	RED	CEILING	FIRE	
SA-ST-CW-F	S54362-F7-A2		Clear	WHITE	CEILING	FIRE	
SA-HS-CR-F	S54362-F10-A1	Horn-Strobe	Clear	RED	CEILING	FIRE	
SA-HS-CW-F	S54362-F10-A2		Clear	WHITE	CEILING	FIRE	

Related Hardware

Model	Part Number	Description	Image
ACEND-ADPT	S54370-F70-A1	Acend DPU Adapter, compatible with the DPU and Fire Field Assist (FFA). This is required for any project using Acend Intelligent devices. It is used for addressing Intelligent appliances and interfacing with the programmer/tester. Only one adapter is needed per DPU/FFA, not per notification appliance.	
SMB-HS-CR	S54370-F16-A1	Red surface mount backbox for ceiling mounted horns, strobes, and horn/strobes	
SMB-HS-CW	S54370-F16-A2	White surface mount backbox for ceiling mounted horns, strobes, and horn/strobes	
STR-HS-CR	S54370-F2-A1	Red plastic trim ring for ceiling mounted horns, strobes, and horn/strobes	
STR-HS-CW	S54370-F2-A2	White plastic trim ring for ceiling mounted horns, strobes, and horn/strobes	
SCVR-HS-CR-EMG	S54370-F31-A1	Red plastic cover for ceiling mounted horns, strobes, and horn/strobes with "EMERGENCY" text	
SCVR-HS-CW-EMG	S54370-F31-A2	White plastic cover for ceiling mounted horns, strobes, and horn/strobes with "EMERGENCY" text	
SCVR-HS-CR-ALR	S54370-F33-A1	Red plastic cover for ceiling mounted horns, strobes, and horn/strobes with "ALERT" text	
SCVR-HS-CW-ALR	S54370-F33-A2	White plastic cover for ceiling mounted horns, strobes, and horn/strobes with "ALERT" text	
SCVR-HS-CR-AGT	S54370-F35-A1	Red plastic cover for ceiling mounted horns, strobes, and horn/strobes with "AGENT" text	
SCVR-HS-CW-AGT	S54370-F35-A2	White plastic cover for ceiling mounted horns and horn/strobes with "AGENT" text	
SCVR-HS-CR-HOF	S54370-F37-A1	Red plastic cover for ceiling mounted horns, strobes, and horn/strobes with "HOUSE ON FIRE" logo	
SCVR-HS-CW-HOF	S54370-F37-A2	White plastic cover for ceiling mounted horns, strobes, and horn/strobes with "HOUSE ON FIRE" logo	

Related Hardware (cont.)

Model	Part Number	Description	Image
SCVR-HS-CR-BNK	S54370-F14-A1	Red plastic cover for ceiling mounted horns, strobes, and horn/strobes with no text	
SCVR-HS-CW-BNK	S54370-F14-A2	White plastic cover for ceiling mounted horns, strobes, and horn/strobes with no text	
STLENS-R	S54370-F17-A1	Red plastic translucent lens for fire alarm strobes	
STLENS-A	S54370-F17-A2	Amber plastic translucent lens for fire alarm strobes	
STLENS-B	S54370-F18-A1	Blue plastic translucent lens for fire alarm strobes	
STLENS-G	S54370-F18-A2	Green plastic translucent lens for fire alarm strobes	

NOTICE – The information contained in this data-sheet document is intended only as a summary and is subject to change without notice. The product(s) described here has/have a specific instruction sheet(s) that cover various technical, limitation and liability information.

Copies of install-type, instruction sheets – as well as the *General Product Warning and Limitations* document, which also contains important data, are provided with the product. All are available from the Manufacturer.

Data contained in the aforesaid type of documentation should be consulted with a fire-safety professional before specifying or using the product.

Any further questions or assistance concerning particular problems that might arise, relative to the proper functioning of the equipment, please contact the Manufacturer.



Siemens Industry, Inc.
 Smart Infrastructure - Building Products
 2 Gatehall Drive • Parsippany, NJ 07054
 Tel: (973) 593-2600
 January - 2026
 (NEW)