

## Installation Instructions

### Models FHD2001-U2/-U3/-R2/-R3, FHD2002-U2/-U3/-R2/-R3, FHD2003-U2/-U3/-R2/-R3 and FHD2006-U1

Outer Doors for FHB2001 and FHB2002 Backboxes

ClearWindow for FHD2001, FHD2002 and FHD2003 Outer Doors

#### INTRODUCTION

The Models FHD2001, FHD2002 and FHD2003 Outer Doors from Siemens Industry, Inc., are used with the FHB2001 and FHB2002 Backboxes. The FHD2006 Clear Window installs in the opening on the outer doors. Refer to Table 1 and Figure 1.

TABLE 1 FHD OUTER DOORS	
FHD OUTER DOORS	COMPATIBLE BACKBOX
FHD2001-U2/-U3 (BLACK)	FHB2001-U1 (BLACK)
FHD2001-R2/-R3 (RED)	FHB2001-R1 (RED)
FHD2002-U2/-U3 (BLACK, 1 WINDOW)	FHB2002-U1 (BLACK)
FHD2002-R2/-R3 (RED, 1 WINDOW)	FHB2002-R1 (RED)
FHD2003-U2/-U3 (BLACK, 2 WINDOWS)	FHB2002-U1 (BLACK)
FHD2003-R2/-R3 (RED, 2 WINDOWS)	FHB2002-R1 (RED)

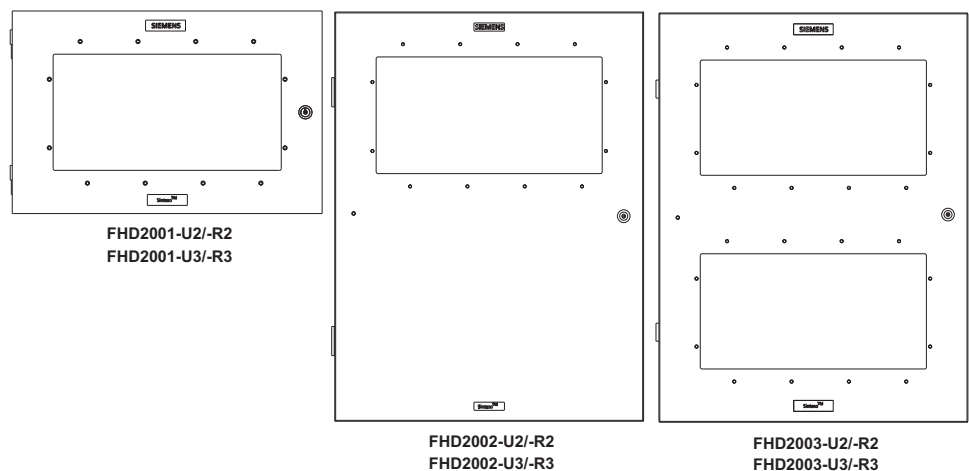


Figure 1  
FHD2001, FHD2002 and FHD2003 Doors



FHD2001, FHD-2002 and FHD2003 Doors are for indoor use only in dry environments.

The outer door consists of the door frame and either one or two windows (one for the FHD2001/FHD2002 and two for the FHD2003). Each window has a panel that is secured to the door with 10-32 lock nuts. The outer door is attached to the backbox by hinge pins and secured to the backbox by a keyed latch.

## INSTALLATION

The installation of the outer door is typically done after the inner door is installed.

Install the Outer Door:

1. Insert the hinge pins on the outer door into the hinges on the backbox.
2. Install FHD2006-U1 Clear Window(s), as required, in the opening(s) on the outer door. The clear window installs in only one way. Secure in place with the eight #10-32 lock nuts provided. Refer to Figure 2.

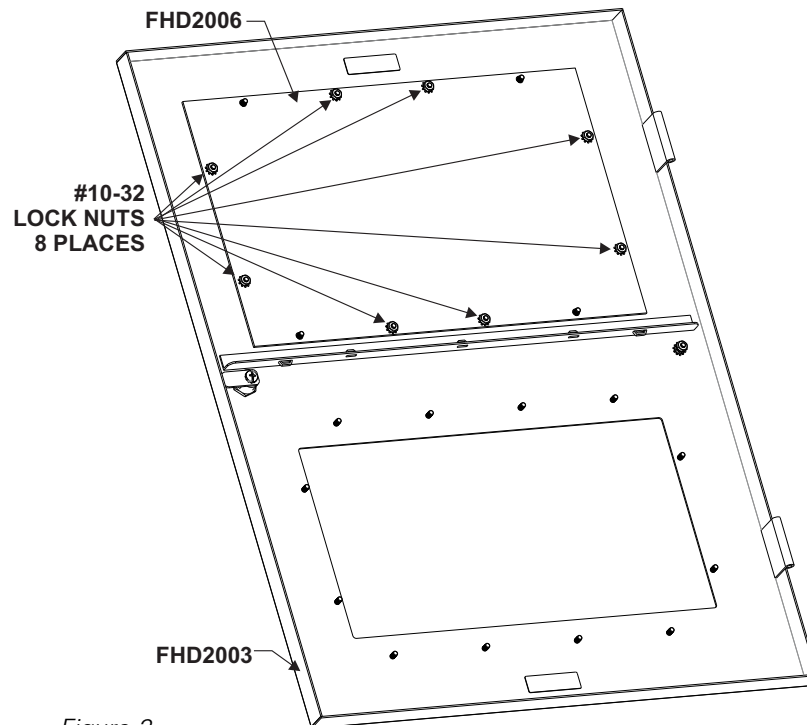


Figure 2  
Installing the FHD2006 Clear Window

3. A ground strap comes installed on the inside of the FHB2001 or FHB2002 backbox. Place the free end of the ground strap between the two #10-32 kee nuts on the stud located on the inside of the FHD2001, FHD2002 or FHD2003 outer door and secure in place. On the FHD2001 door, the stud is located in the top right inside corner. On the FHD2002 and FDH2003 doors, the stud is located on the inside right side of the door near the center (Refer to Figures 3 and 4.)
4. Close the outer door and secure with the key latch.

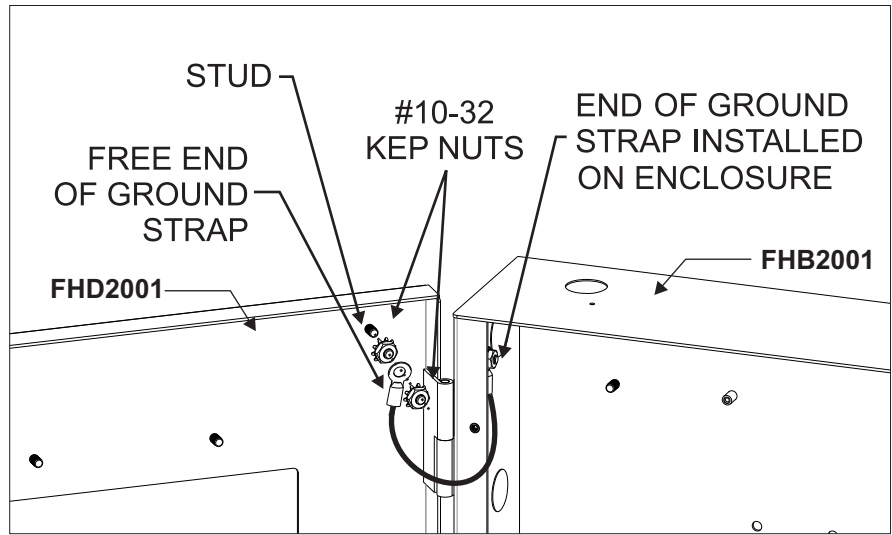


Figure 3  
Installing the Ground Strap on the FHD 2001 Outer Door

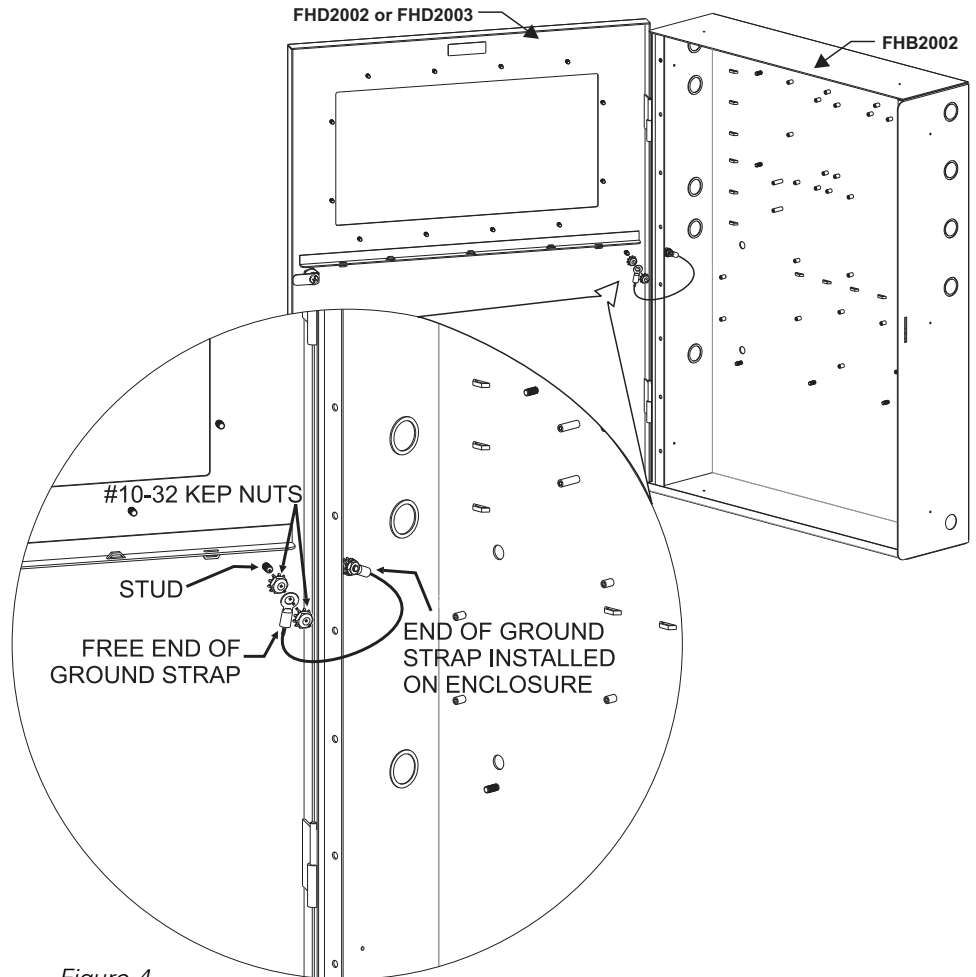


Figure 4  
Installing the Ground Strap on the FHD2002 or FHD2003 Outer Door

---

COMPATIBILITY FHD2001-U2/-U3-R2/-R3 outer doors can be used with FHB2001-U1/R1 backboxes only.

FHD2002-U2/-U3-R2/-R3 and FHD2003-U2/-U3-R2/-R3 outer doors can be used with FHB2002-U1/R1 backboxes only.

FHD2006 clear windows can be used with FHD2001-U2/-U3-R2/-R3, FHD2002-U2/-U3-R2/-R3 and FHD2003-U2/-U3-R2/-R3 outer doors.

---

SPECIFICATIONS

FHD2001-U2/-U3-R2/-R3:	21- <sup>1</sup> / <sub>2</sub> " W x <sup>3</sup> / <sub>4</sub> " D x 15- <sup>3</sup> / <sub>8</sub> " L
FHD2002-U2/-U3-R2/-R3:	21- <sup>1</sup> / <sub>2</sub> " W x 1.0" D x 28- <sup>1</sup> / <sub>2</sub> " L
FHD2003-U2/-U3-R2/-R3:	21- <sup>1</sup> / <sub>2</sub> " W x 1.0" D x 28- <sup>1</sup> / <sub>2</sub> " L
FHD2006-U1:	17.0" W x 10- <sup>5</sup> / <sub>16</sub> " L