

INSTALLATION INSTRUCTIONS

Model FS-AE/-R

Fire Alarm Accessory Enclosure

Model FS- AE-TK/-R

Accessory Enclosure Semi-Flush Trim Kit

The FS-AE Fire Alarm Accessory Enclosure is an optional accessory for the FS-100 Fire Alarm System Control Unit. The FS-AE provides an enclosure for FS-RU and FS-RE8 Serial Relay Units and FS-SAU and FS-SAE Serial Annunciator Units. The FS-AE enclosure provides mounting of up to two FS-RU units and two FS-RE8 extenders or two FS-SAU units and five FS-SAE16 extenders.

Step 1.) Installation is to be done by qualified personnel who have thoroughly read and understood this instruction sheet.

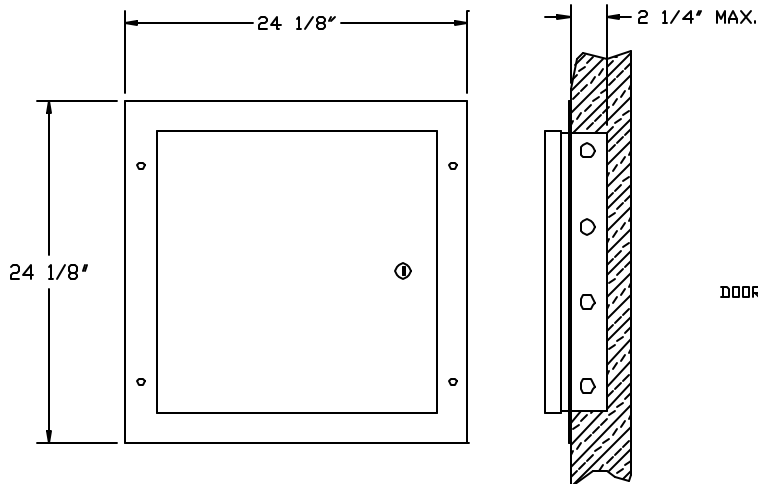
Step 2.) Mount enclosure as required.

Step 3.) Attach conduit and run wires as required.

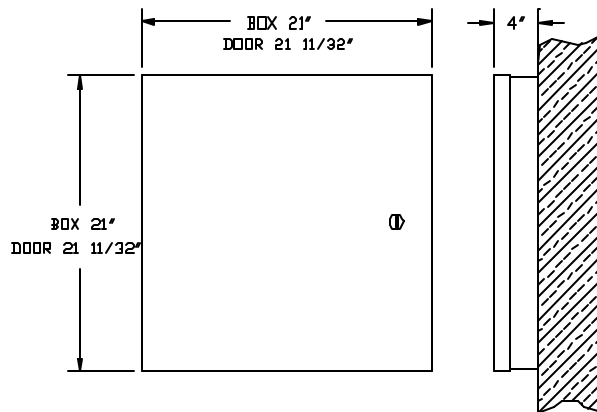
Step 4.) Mount PCB Tracks as required.

Note: See the installation instructions provided with relay or annunciator units for installation and wiring.

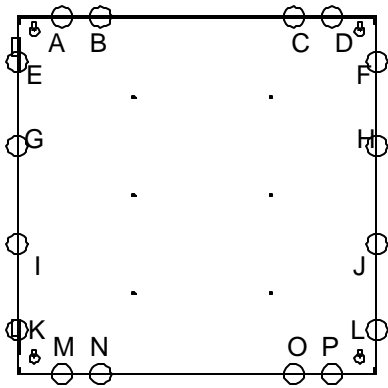
FS-AE SURFACE MOUNTING



FS-AE SEMI-FLUSH MOUNTING WITH FS-AE-TK SEMI-FLUSH TRIM

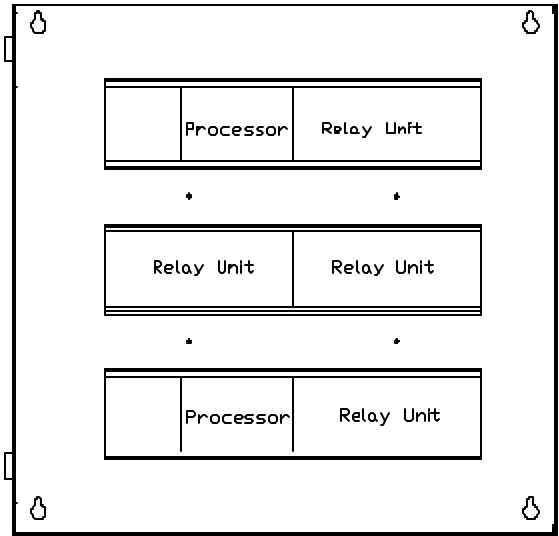


KNOCK-OUT LOCATION

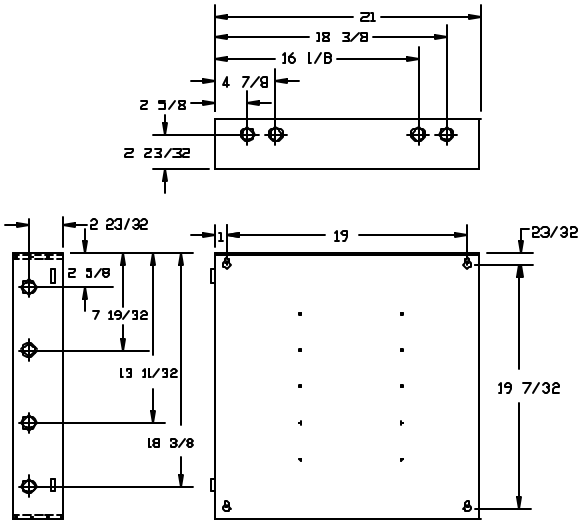


Note: Use knock-outs A, E, K or M for power-limited connections to the fire alarm control unit.

SAMPLE LAYOUT FOR RELAY UNITS



FS-AE DIMENSIONS



SAMPLE LAYOUT FOR ANNUNCIATOR UNITS

