

## INSTALLATION INSTRUCTIONS SL2 SERIES SURFACE BACKBOX (SL2SBB), AND SINGLE GANG PLATE (SLSGP).


Siemens Industry, Inc.  
Building Technologies Division  
2 Gatehall Drive  
Parsippany, NJ 07054  
PN P85446-001A

Siemens Canada Limited  
Building Technologies Division  
1577 North Service Road East  
Oakville, Ontario, L6H 0H6  
Canada

**IMPORTANT:** All audible and visual signaling appliances must be installed in accordance with all applicable national and local fire alarm codes and any other required regulatory agencies.

The Siemens SL2 Surface Backbox (SL2SBB) is UL and ULC listed to allow Siemens SL2HW wall horn, SL2SW strobe and SL2HSW horn/strobe appliances to be surface mounted. The Single Gang Plate (SLSGP) allows the same appliances to be mounted to a standard recessed single-gang or 4-inch sq. electrical back box.

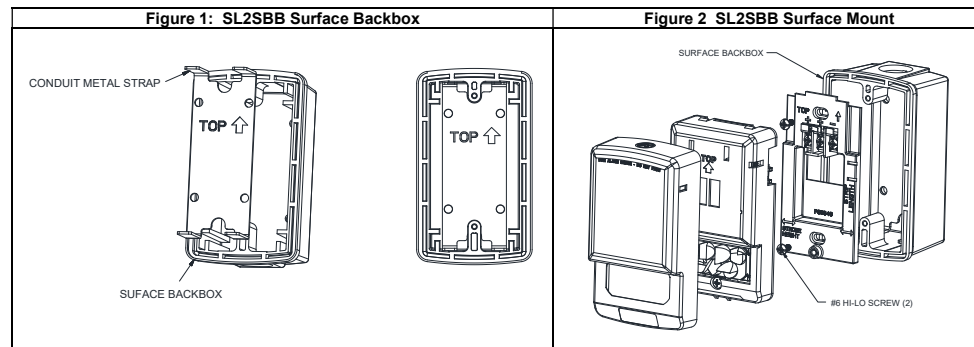
Siemens SL2SBB backbox and SLSGP are UL and ULC Listed for **indoor use only**, with the matching SL2-series appliances.

**NOTE:** All **CAUTIONS** and **WARNINGS** are identified by the symbol . All warnings are printed in bold capital letters.

**WARNING:** PLEASE READ THESE INSTRUCTIONS CAREFULLY. FAILURE TO COMPLY WITH ANY OF THE FOLLOWING INSTRUCTIONS, CAUTIONS AND WARNINGS COULD RESULT IN IMPROPER APPLICATION, INSTALLATION AND/OR OPERATION OF THESE PRODUCTS IN AN EMERGENCY SITUATION, WHICH COULD RESULT IN PROPERTY DAMAGE AND SERIOUS INJURY OR DEATH TO YOU AND/OR OTHERS.

**CAUTION:** Do not change factory applied finishes. "DO NOT PAINT".

**ATTENTION:** Ne pas modifier les finitions appliquées en usine. "NE PAS PEINTURER"



### SL2SBB MOUNTING PROCEDURE:

1. Read the installation instructions provided with SL2 series notification appliance before proceeding with the installation.
2. Remove only the necessary conduit knock-out(s). SL2SBB has two (2) available 1/2 inch knockouts.
3. Mount SL2SBB backbox as shown in the Figure 1 using screws provided with product. SL2SBB Surface Mount is shown in Figure 2.
4. Install field wiring and appliance per the SL2 appliance instruction sheet.

**CAUTION:** Check that the installed product will have sufficient clearance and wiring room prior to installing backboxes and conduit, especially if sheathed multiconductor cable or 3/4-inch conduit fittings are used.

**CAUTION:** Do not over tighten mounting screws. Excessive torque can distort the base and may affect operation. When using power tools to screw down the mounting plate to the electrical backbox, ensure the torque is set to the lowest setting available.

Wiring method shall be in accordance with:

- 1) In the United States, the National Electrical Code, NFPA 70, and the National Fire Alarm and Signaling Code, NFPA 72.
- 2) In Canada, CSA C22.1, Canadian Electrical Code, Part I, Safety Standard for Electrical Installations, Section 32.

NOTE: Final acceptance is subject to Authorities Having Jurisdiction.

Figure 3: Flush Mount on Single Gang Backbox

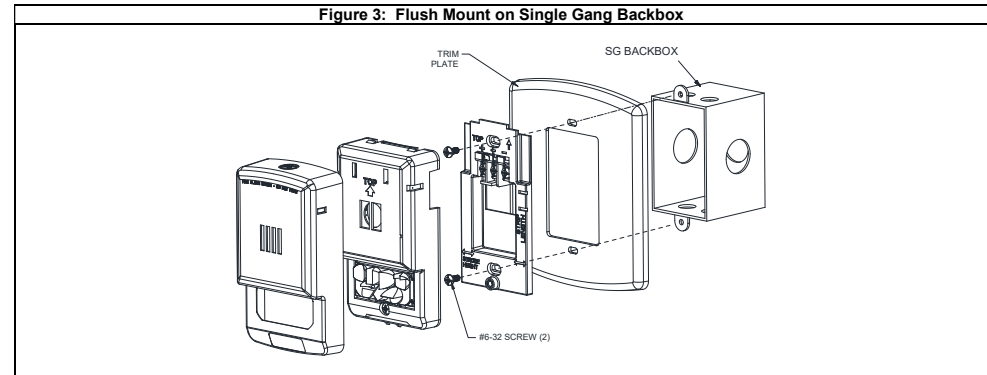
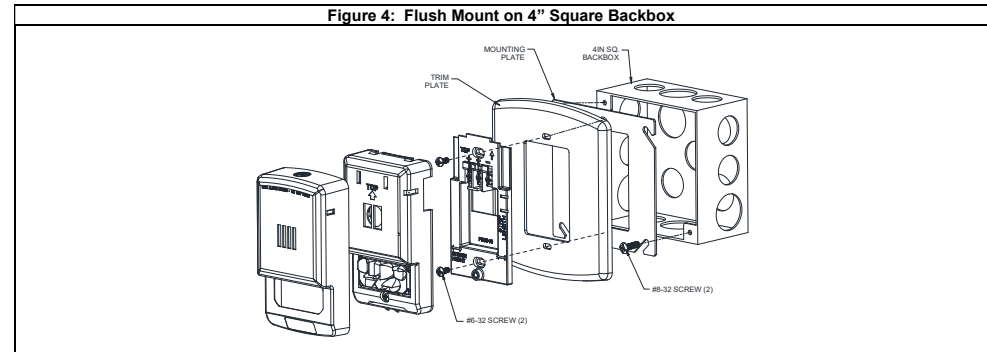


Figure 4: Flush Mount on 4" Square Backbox



### SLSGP MOUNTING PROCEDURE:

1. Read the installation instructions provided with SL2 series notification appliance before proceeding with the installation.
2. **For Single Gang Mounting (See Figure 3):**  
Use the 6-32 mounting screws supplied with the appliance to mount SL2 pre-wire mounting plate over the SLSGP plate to backbox.
3. **For 4in Square Mounting (See Figure 4):**
  - a) Flush mount single gang adaptor/mud-ring to 4" square backbox using 8-32 backbox screws.
  - b) Use the 6-32 mounting screws supplied with SL2 appliance to mount SL2 pre-wire mounting plate over the SLSGP plate to single gang adaptor/mud-ring.
4. Install field wiring and appliance per the SL2 appliance instruction sheet.

ANY MATERIAL EXTRAPOLATED FROM THIS DOCUMENT OR FROM SIEMENS MANUALS OR OTHER DOCUMENTS DESCRIBING THE PRODUCT FOR USE IN PROMOTIONAL OR ADVERTISING CLAIMS, OR FOR ANY OTHER USE, INCLUDING DESCRIPTION OF THE PRODUCT'S APPLICATION, OPERATION, INSTALLATION AND TESTING IS USED AT THE SOLE RISK OF THE USER AND SIEMENS WILL NOT HAVE ANY LIABILITY FOR SUCH USE.

IN NO CASE WILL SELLER'S LIABILITY EXCEED THE PURCHASE PRICE PAID FOR A PRODUCT.