

### Installation Instructions

MODEL LK-11

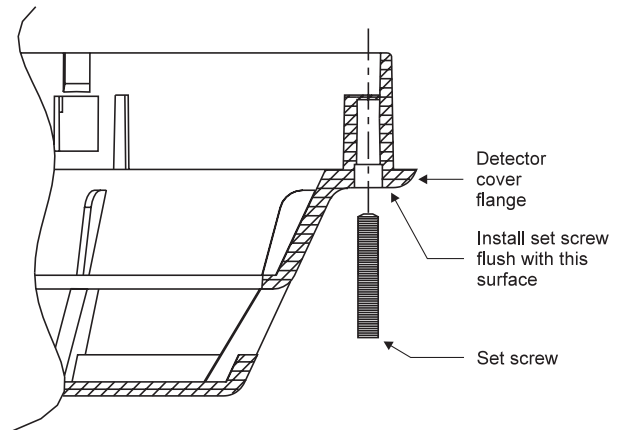
DB-11 Base Detector Lock

#### INSTALLATION PROCEDURE

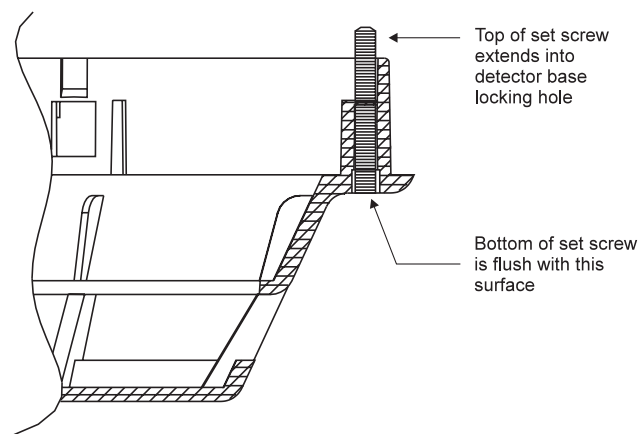
1. Use the hex tool provided with the **SIEMENS** Model LK-11 to install the set screw into the hole in the cover of the detector. (Refer to Figure 1.)
2. To lock the detector in the DB-11 base, rotate the hex tool clockwise until the set screw is flush with the detector cover flange and the top of the screw extends into the DB-11 base locking hole, as shown in Figure 2.

#### REMOVAL PROCEDURE

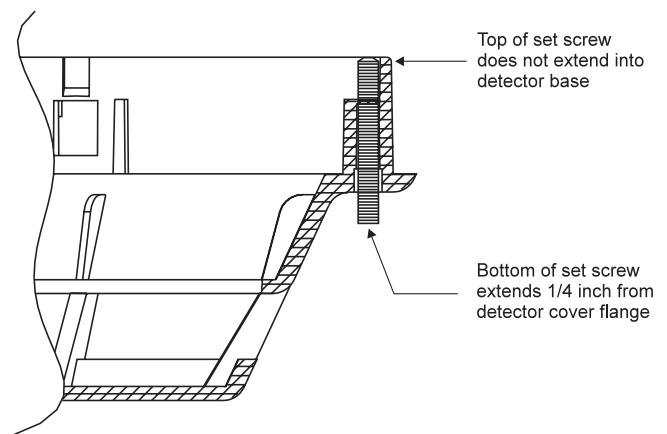
1. To unlock the detector in the DB-11 base, use the hex tool provided to rotate the set screw counter-clockwise until it no longer extends into the detector base and backs out approximately 1/4 inch from the detector cover flange. (Refer to Figure 3.)
2. Remove the detector.



**Figure 1**  
**Installing the Set Screw**



**Figure 2**  
**Set Screw in Locked Position**



**Figure 3**  
**Removing the Set Screw**