

Systems Integration

Siemens FireFinder XLS Driver

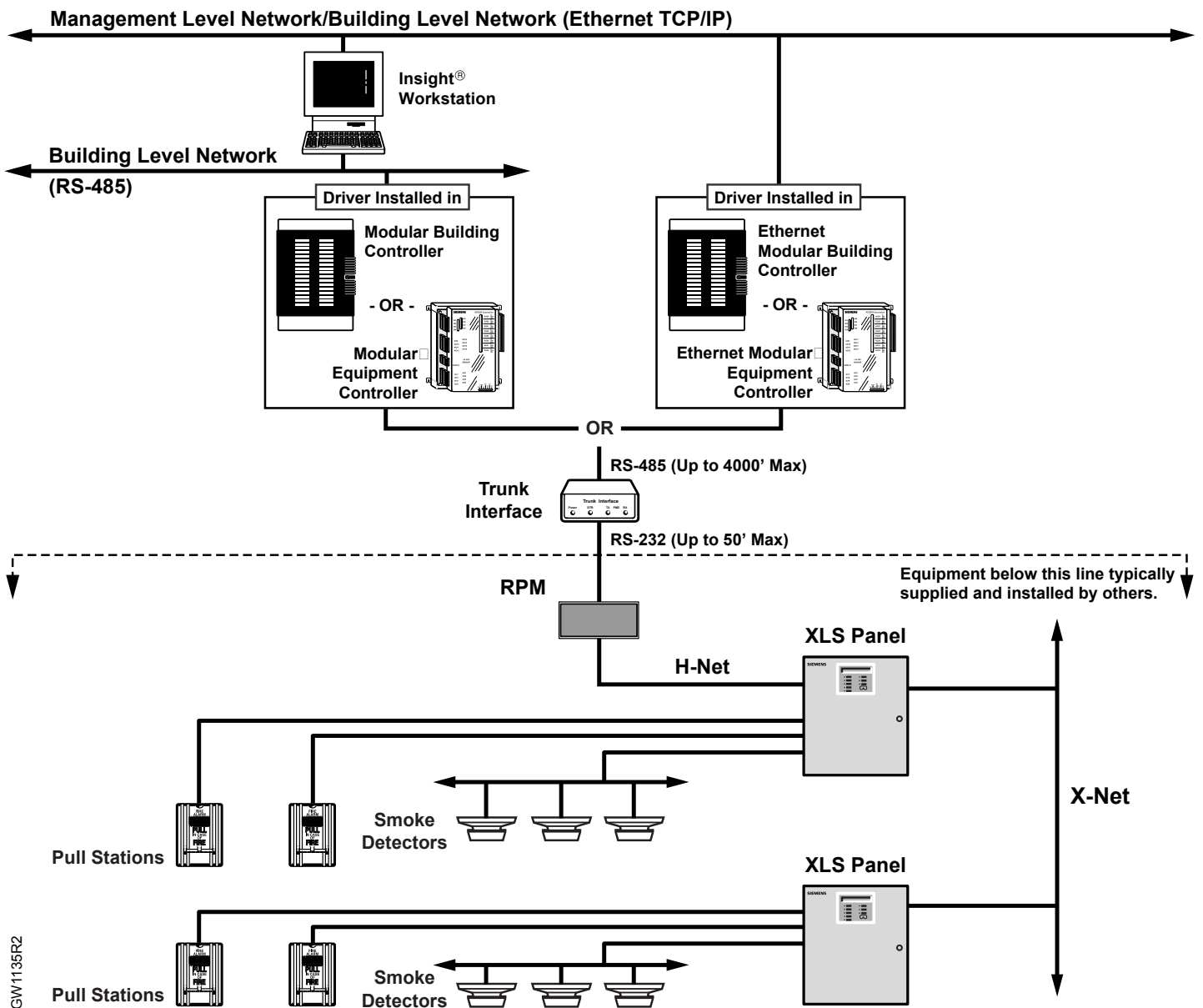


Figure 1. System Architecture.

Notes on System Architecture

The Siemens FireFinder XLS Driver provides communication between the APOGEE® Automation System and the FireFinder XLS fire alarm system.

A maximum of 64 FireFinder XLS nodes (PMIs) can be accessed with one driver.

Functionality

The Siemens FireFinder XLS Driver can be loaded into MBC Open Processor and MEC hardware. The driver is a microprocessor-based, multitasking platform designed for multi-system communication and control. It communicates with Insight® software, other APOGEE field panels and controllers, and the FireFinder XLS system.

Through the Insight workstation, the Siemens FireFinder XLS points can be monitored. The Siemens FireFinder XLS points integrated into the APOGEE Automation System can be accessed by system applications such as Powers Process Control Language, Equipment Scheduling, Trending, and Enhanced Alarming.

The Siemens FireFinder XLS Driver will not affect, in any way, the operating sequence or safeties as factory programmed into the FireFinder XLS system.

The Siemens FireFinder XLS Driver is UL listed for smoke control under UL 864 category UUKL.

Keys to Success

Ensure that all Siemens FireFinder XLS equipment to be integrated is supported by the Siemens FireFinder XLS Driver.

Benefits

Systems integration brings the powerful facility control capabilities of the APOGEE Automation System together with the FireFinder XLS system. Integrating the Siemens FireFinder XLS points allows both systems to operate as a single system providing marked advantages in the following:

- Reduced operating and training costs.
- Increased employee productivity.

Information in this document is based on specifications believed correct at the time of publication. The right is reserved to make changes as design improvements are introduced. Product or company names mentioned herein may be the trademarks of their respective owners.

© 2005 Siemens Building Technologies, Inc.

- Increased diagnostic capabilities to extend equipment life.
- Improved systems information and control.
- Reduced installed costs.

Products Supported

Siemens FireFinder XLS models tested with the Siemens FireFinder XLS Driver include:

- PMI Firmware revision 3.05.0013
- RPM Firmware revision 4.03.0000

If there are any questions regarding the FireFinder XLS system, contact your local Siemens FireFinder XLS representative.

Ordering Information

Description	Product Number
Siemens FireFinder XLS Driver, Open Processor with RS-485 BLN	986-83481A
Siemens FireFinder XLS Driver, Open Processor with Ethernet BLN	986-83481B
Siemens FireFinder XLS Driver, MEC with RS-485 BLN, 8DI, 8DO, 8AI, 8AO, Point Expansion Support, HOA-ready	986-83481C
Siemens FireFinder XLS Driver, MEC with RS-485 BLN, 8DI, 8DO, 8AI, 8AO, Point Expansion Support, with HOA	986-83481D
Siemens FireFinder XLS Driver, MEC with RS-485 BLN, 8DI, 8DO, 8AI, 8AO, Point Expansion Support, Modem, HOA-ready	986-83481E
Siemens FireFinder XLS Driver, MEC with RS-485 BLN, 8DI, 8DO, 8AI, 8AO, Point Expansion Support, Modem, with HOA	986-83481F
Siemens FireFinder XLS Driver, MEC with Ethernet BLN, 8DI, 8DO, 8AI, 8AO, Point Expansion Support, HOA-ready	986-83481G
Siemens FireFinder XLS Driver, MEC with Ethernet BLN, 8DI, 8DO, 8AI, 8AO, Point Expansion Support, with HOA	986-83481H

For more information, see www.sbt.siemens.com